

**GS1 standards in the logistic:
Logistic information flow with EANCOM® 2002
Version 2.3**

Picking order
(INSDDES)

EANCOM® 2002 Syntax 3

Introduction.....	2
Business Terms	4
Branching Diagram	8
Message structure	15
Segment Layout	17
Used Codes.....	73
Example.....	135

Introduction

Introduction

The aim of the brochure on hand is to offer documentation describing the exchange of purchase order data between business partners.

The basis of this elaboration is the international standard EANCOM® 2002. The message type INSDDES 003 is used to transmit relevant data. GEFEG.FX (Gefeg mbH, Berlin) was used as the documentation tool.

Please be aware to know that this booklet does not replace the complete specifications in the original chapters or other relevant instructions within the EANCOM® 2002 documentation. Instead, it deals with the description of segments, data elements and codes to be used for a specific task.

The current documentation has been produced by the GS1 Germany GmbH in Cologne. GS1 Germany assumes no liability for any damages incurring from the use of this documentation. This brochure or extracts thereof may only be published or forwarded to third parties with the express written consent of GS1 Germany, which holds copyright on this work.

Important note:

To fulfill the requirements of directive 2003/58/EG, article 4, C058 has been opened in NAD segments identifying a message sender. If the place in the 5 DE 3124 is not sufficient, the following RFF segments can be used, qualified with DE 1153 = GN. DE 1154 has got a capacity of 70 digits. Only in those cases, when no RFF segment follows NAD, a RFF+GN can be used in the heading section of the message. Within the EDI recommendations of GS1 Germany this is only applicable for the messages REMADV and SLSFCT.

This brochure offers different ways to start:

"Introduction" contains a short description of the respective message.

"Business Terms", is a table which links directly to the sequence numbers of the segments.

"Diagram", is a hierarchical graphic depiction of all used segments in the same sequence as they are defined in the EANCOM® message. However, every segment is shown only once, and it is therefore possible that the sequence numbering is interrupted.

"Structure", is a list of all used segments in the same sequence as they are defined in the EANCOM® message. In general, for each piece of information one single segment is provided. Exeptions may arise when the the occurrence of a segment is limited and can contain alternative information (e.g., segment BGM).

"Segmentlayout", an illustration that has been chosen to match the business terms (data from the inhouse application) with the elements from the EANCOM® syntax.

"Codes" contains a list of the codes used in the message.

"Examples", provides at least one message example with comments. Please note that, for technical reasons, the examples can contain component data element separators, which would otherwise be represented as data element separators in the original messages.

"Print" opens the PDF documentation for the corresponding message.

The following conventions apply to this brochure:

Introduction

Message structure

Heading section

Specification of buyer and supplier, message date and number.

Detail section

Specification of SSCC to identify shipments and quantity.

Summary section

Specification of totals of the message.

Business Terms

Business Term	EANCOM-Segment		Data Element	
	Seg.-No.	Segment SG	DEG	DE
Acknowledgement request	2	UNB		0031
Additional identification of the delivery address	14	RFF SG2#1\SG3#1	C506	1154
Additional identification of the place of loading	24	RFF SG2#4\SG3#1	C506	1154
Additional identification of the receiver	20	RFF SG2#3\SG3#1	C506	1154
Additional identification of the ultimate consignee	28	RFF SG2#5\SG3#1	C506	1154
Address for reverse routing	2	UNB	S002	0008
Application reference	2	UNB		0026
Batch number	39	PIA SG10#1	C212	7140
Best before date	42	DTM SG10#1	C507	2380
Cash on delivery amount	47	MOA SG10#1	C516	5004
Character set	2	UNB	S001	0001
Communication number	17	COM SG2#1\SG4#1	C076	3148
Communication number	22	COM SG2#3\SG4#1	C076	3148
Communication number	26	COM SG2#4\SG4#1	C076	3148
Communication number	30	COM SG2#5\SG4#1	C076	3148
Communication number	33	COM SG2#6\SG4#1	C076	3148
Component data element separator	1	UNA		UNA1
Country of the customer, coded	13	NAD SG2#1		3207
Country of the freight forwarder, coded	31	NAD SG2#6		3207
Country of the place of loading, coded	23	NAD SG2#4		3207
Country of the receiver, coded	19	NAD SG2#3		3207
Country of the ultimate consignee, coded	27	NAD SG2#5		3207
Creation date	5	DTM	C507	2380
Data element separator	1	UNA		UNA2
Decimal notation	1	UNA		UNA3
Delivery date, requested	6	DTM	C507	2380
Delivery information 1	8	FTX	C108	4440
Delivery information 1	46	FTX SG10#1	C108	4440
Delivery information 2	8	FTX	C108	4440
Delivery information 2	46	FTX SG10#1	C108	4440
Delivery information 3	8	FTX	C108	4440
Delivery information 3	46	FTX SG10#1	C108	4440
Delivery information 4	8	FTX	C108	4440
Delivery information 4	46	FTX SG10#1	C108	4440
Delivery information 5	8	FTX	C108	4440
Delivery information 5	46	FTX SG10#1	C108	4440
Delivery note text 1	9	FTX	C108	4440
Delivery note text 1	45	FTX SG10#1	C108	4440
Delivery note text 2	9	FTX	C108	4440
Delivery note text 2	45	FTX SG10#1	C108	4440

Business Terms

Business Term	EANCOM-Segment		Data Element	
	Seg.-No.	Segment SG	DEG	DE
Delivery note text 3	9	FTX	C108	4440
Delivery note text 3	45	FTX SG10#1	C108	4440
Delivery note text 4	9	FTX	C108	4440
Delivery note text 4	45	FTX SG10#1	C108	4440
Delivery note text 5	9	FTX	C108	4440
Delivery note text 5	45	FTX SG10#1	C108	4440
Delivery term	35	TOD SG5#1	C100	4053
Department	16	CTA SG2#1\SG4#1	C056	3413
Department	21	CTA SG2#3\SG4#1	C056	3413
Department	25	CTA SG2#4\SG4#1	C056	3413
Department	29	CTA SG2#5\SG4#1	C056	3413
Department	32	CTA SG2#6\SG4#1	C056	3413
Detail and Summary section separation	48	UNS		0081
EANCOM	2	UNB		0032
End of the transmission file	50	UNZ		0036
File creation date	2	UNB	S004	0017
File creation time	2	UNB	S004	0019
GLN of the freight forwarder / parcel service	36	TDT SG6#1	C040	3127
GTIN Article identification	37	LIN SG10#1	C212	7140
Handling instruction 1	10	FTX	C108	4440
Handling instruction 2	10	FTX	C108	4440
Handling instruction 3	10	FTX	C108	4440
Handling instruction 4	10	FTX	C108	4440
Handling instruction 5	10	FTX	C108	4440
Identification of the freight forwarder	31	NAD SG2#6	C082	3039
Identification of the Logistic Service Provider (Warehouse)	18	NAD SG2#2	C082	3039
Identification of the name of sub-entities (state, province) defined by appropriate governmental agencies	13	NAD SG2#1	C819	3229
Identification of the name of sub-entities (state, province) defined by appropriate governmental agencies	19	NAD SG2#3	C819	3229
Identification of the name of sub-entities (state, province) defined by appropriate governmental agencies	23	NAD SG2#4	C819	3229
Identification of the name of sub-entities (state, province) defined by appropriate governmental agencies	27	NAD SG2#5	C819	3229

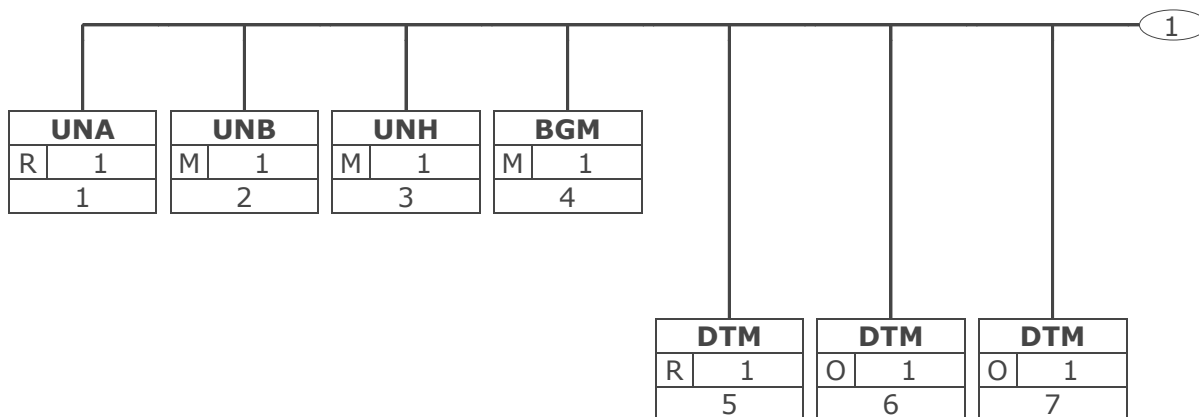
Business Terms

Business Term	EANCOM-Segment		Data Element	
	Seg.-No.	Segment SG	DEG	DE
Identification of the name of sub-entities (state, province) defined by appropriate governmental agencies	31	NAD SG2#6	C819	3229
Identification of the ultimate consignee	27	NAD SG2#5	C082	3039
Identification of the receiver of the transmission file	2	UNB	S003	0010
Identification of the sender of the transmission file	2	UNB	S002	0004
Interchange control reference, beginning	2	UNB		0020
Interchange control reference, end	50	UNZ		0020
Line item number	37	LIN SG10#1		1082
Message reference number	3	UNH		0062
Name 1 of the customer	13	NAD SG2#1	C080	3036
Name 1 of the freight forwarder	31	NAD SG2#6	C080	3036
Name 1 of the place of loading	23	NAD SG2#4	C080	3036
Name 1 of the receiver	19	NAD SG2#3	C080	3036
Name 1 of the ultimate consignee	27	NAD SG2#5	C080	3036
Name 2 of the customer	13	NAD SG2#1	C080	3036
Name 2 of the freight forwarder	31	NAD SG2#6	C080	3036
Name 2 of the place of loading	23	NAD SG2#4	C080	3036
Name 2 of the receiver	19	NAD SG2#3	C080	3036
Name 2 of the ultimate consignee	27	NAD SG2#5	C080	3036
Name of the contact person	16	CTA SG2#1\SG4#1	C056	3412
Name of the contact person	21	CTA SG2#3\SG4#1	C056	3412
Name of the contact person	25	CTA SG2#4\SG4#1	C056	3412
Name of the contact person	29	CTA SG2#5\SG4#1	C056	3412
Name of the contact person	32	CTA SG2#6\SG4#1	C056	3412
Name of the freight forwarder / parcel service	36	TDT SG6#1	C040	3128
Number of messages or message groups	50	UNZ		0036
Order number (customer)	12	RFF SG1#2	C506	1154
Order number (delivery party)	11	RFF SG1#1	C506	1154
Outsourcing contract number	4	BGM	C106	1004
Password interchange	2	UNB	S005	0022
Place of loading - name of a city (town, village) for addressing purposes.	23	NAD SG2#4		3164
Place of the customer - name of a city (town, village) for addressing purposes.	13	NAD SG2#1		3164

Business Terms

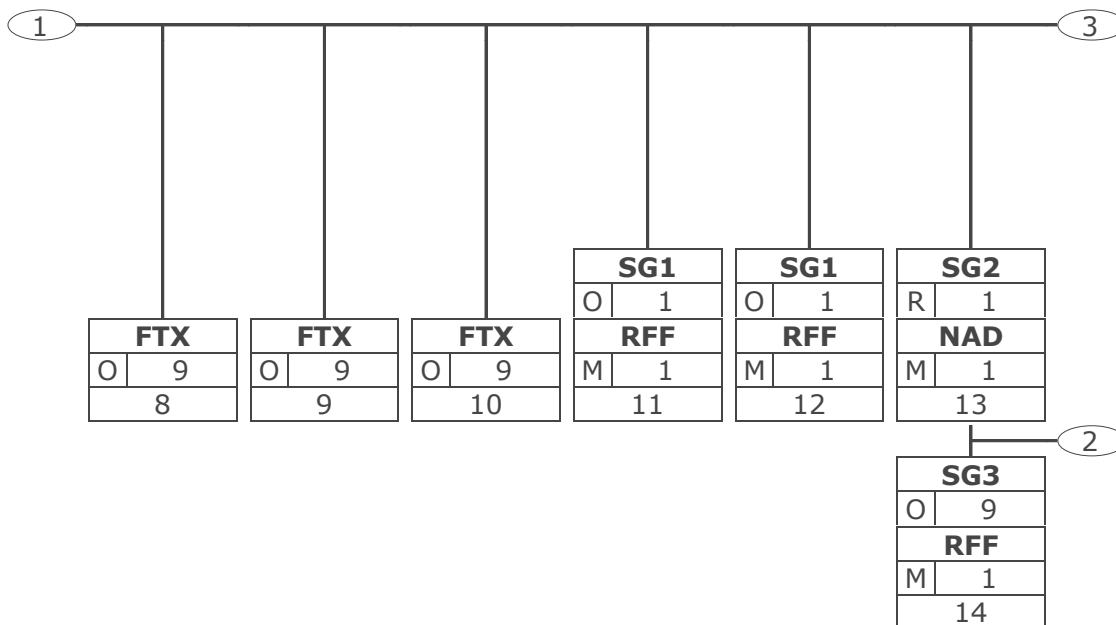
Business Term	EANCOM-Segment		Data Element	
	Seg.-No.	Segment SG	DEG	DE
Place of the freight forwarder - name of a city (town, village) for addressing purposes.	31	NAD SG2#6		3164
Place of the receiver - name of a city (town, village) for addressing purposes.	19	NAD SG2#3		3164
Place of the ultimate consignee - name of a city (town, village) for addressing purposes.	27	NAD SG2#5		3164
Postcode of the customer	13	NAD SG2#1		3251
Postcode of the freight forwarder	31	NAD SG2#6		3251
Postcode of the place of loading	23	NAD SG2#4		3251
Postcode of the receiver	19	NAD SG2#3		3251
Postcode of the ultimate consignee	27	NAD SG2#5		3251
Quantity to be delivered	40	QTY SG10#1	C186	6060
Release character	1	UNA		UNA4
Remaining time from the time of receipt	43	DTM SG10#1	C507	2380
Reserved for future use	1	UNA		UNA5
Routing address	2	UNB	S003	0014
Segment terminator	1	UNA		UNA6
Serial Shipping Container Code (SSCC)	41	GIN SG10#1	C208	7402
Statements on business letters	15	RFF SG2#1\SG3#2	C506	1154
Street and number of the customer	13	NAD SG2#1	C059	3042
Street and number of the freight forwarder	31	NAD SG2#6	C059	3042
Street and number of the place of loading	23	NAD SG2#4	C059	3042
Street and number of the receiver	19	NAD SG2#3	C059	3042
Street and number of the ultimate consignee	27	NAD SG2#5	C059	3042
Suppliers article number	38	PIA SG10#1	C212	7140
Syntax version	2	UNB	S001	0002
Test indicator	2	UNB		0035
Total number of segments	49	UNT		0074
Total remaining time from production	44	DTM SG10#1	C507	2380

Branching Diagram



Tag	Tag = Segment/Group Tag
St MaxOcc	St = Status (M=Mandatory, C=Conditional, R=Required, O=Optional, A=Advised, D=Dependent)
No	MaxOcc = Maximum occurrence of the segment/group; No = Consecutive segment number

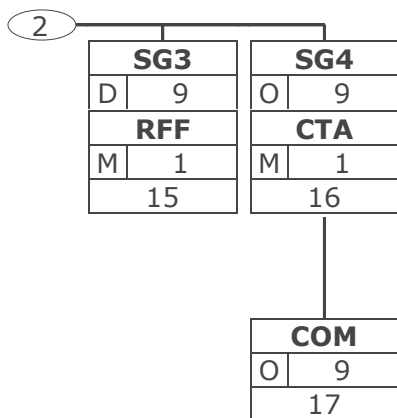
Branching Diagram



Tag	Tag = Segment/Group Tag
St	MaxOcc
No	MaxOcc = Maximum occurrence of the segment/group; No = Consecutive segment number

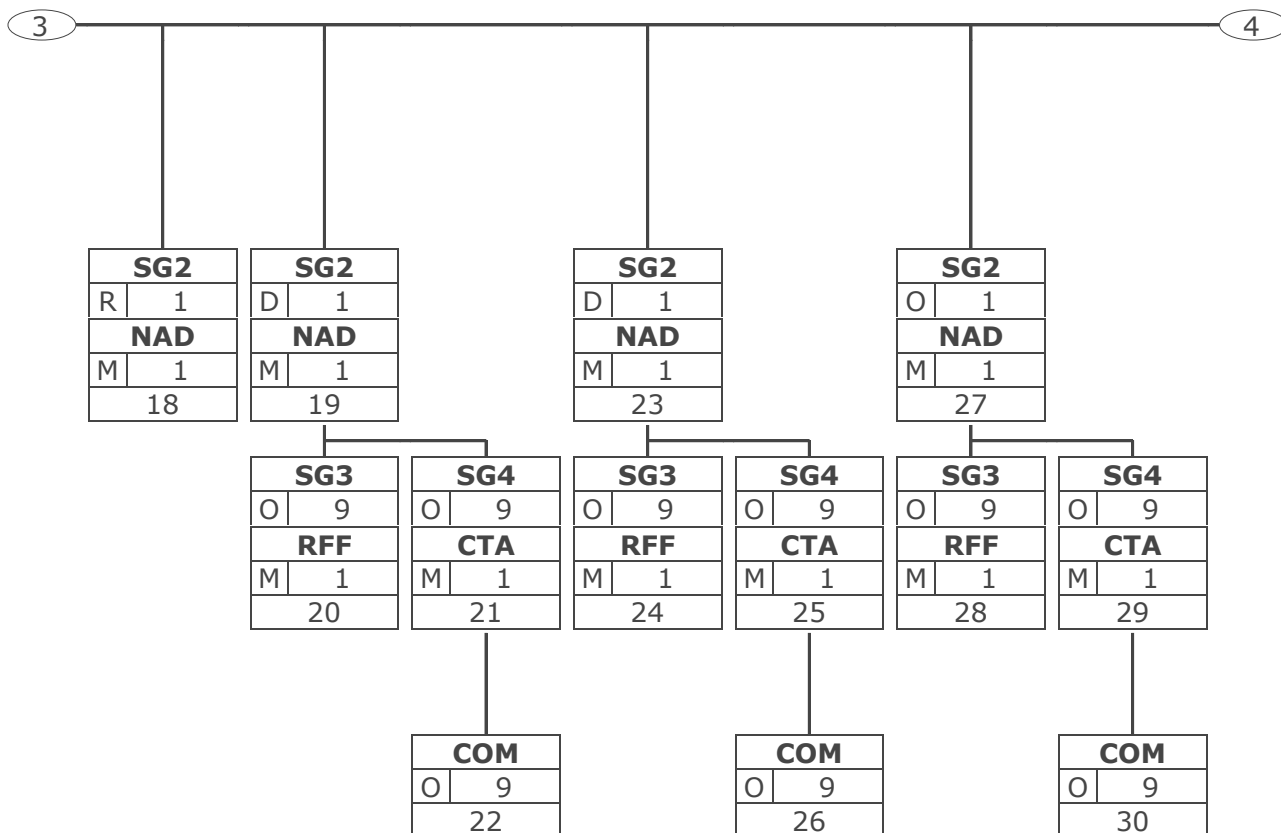
St = Status (M=Mandatory, C=Conditional, R=Required, O=Optional, A=Advised, D=Dependent)

Branching Diagram



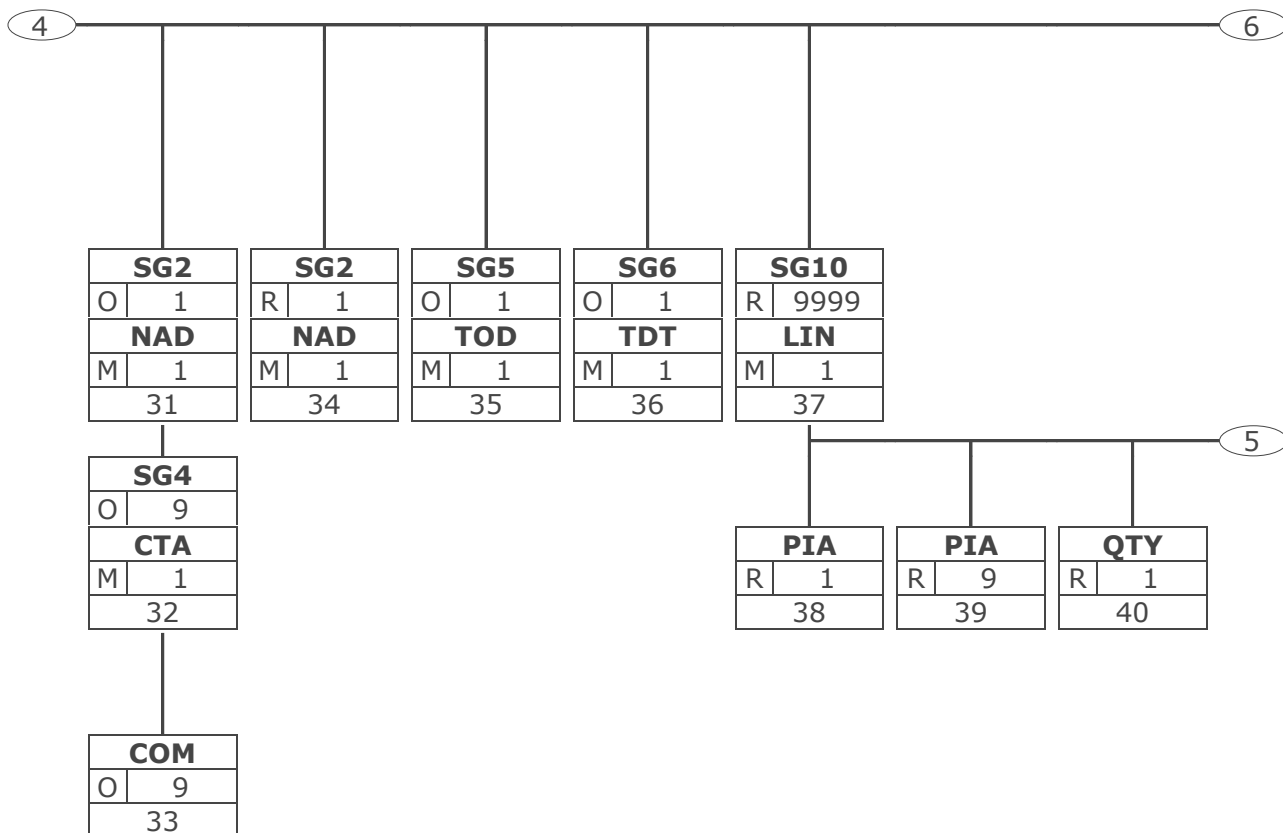
Tag	Tag = Segment/Group Tag
St MaxOcc	St = Status (M=Mandatory, C=Conditional, R=Required, O=Optional, A=Advised, D=Dependent)
No	MaxOcc = Maximum occurrence of the segment/group; No = Consecutive segment number

Branching Diagram



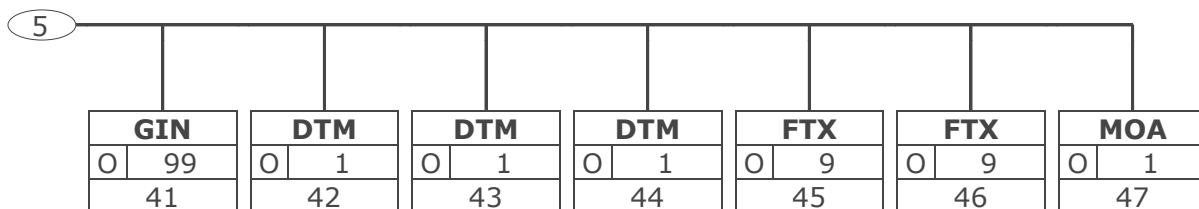
Tag	Tag = Segment/Group Tag
St MaxOcc	St = Status (M=Mandatory, C=Conditional, R=Required, O=Optional, A=Advised, D=Dependent)
No	MaxOcc = Maximum occurrence of the segment/group; No = Consecutive segment number

Branching Diagram



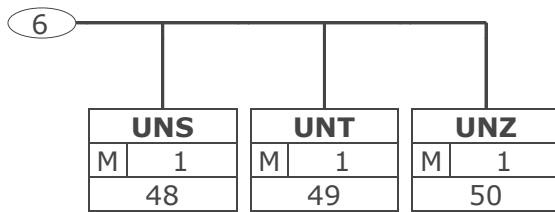
Tag	Tag = Segment/Group Tag
St MaxOcc	St = Status (M=Mandatory, C=Conditional, R=Required, O=Optional, A=Advised, D=Dependent)
No	MaxOcc = Maximum occurrence of the segment/group; No = Consecutive segment number

Branching Diagram



Tag	Tag = Segment/Group Tag
St MaxOcc	St = Status (M=Mandatory, C=Conditional, R=Required, O=Optional, A=Advised, D=Dependent)
No	MaxOcc = Maximum occurrence of the segment/group; No = Consecutive segment number

Branching Diagram



Tag	Tag = Segment/Group Tag
St MaxOcc	St = Status (M=Mandatory, C=Conditional, R=Required, O=Optional, A=Advised, D=Dependent)
No	MaxOcc = Maximum occurrence of the segment/group; No = Consecutive segment number

Message Structure

Seg.	No.	Status	Max Occ	Segment
UNA	1	R	1	Used character set
UNB	2	M	1	Beginning of transmission file
Heading Section				
UNH	3	M	1	Beginn of message
BGM	4	M	1	Document number
DTM	5	R	1	Creation date
DTM	6	O	1	Delivery date, requested
DTM	7	O	1	Shipping date, requested
FTX	8	O	9	Delivery informationen
FTX	9	O	9	Delivery informationen
FTX	10	O	9	Handling instructions
SG1		O	1	RFF
RFF	11	M	1	Order number (delivery party)
SG1		O	1	RFF
RFF	12	M	1	Order number (customer)
SG2		R	1	NAD-SG3-SG3-SG4
NAD	13	M	1	Identification of the supplier
SG3		O	9	RFF
RFF	14	M	1	Additional identification of the delivery address
SG3		D	9	RFF
RFF	15	M	1	Statements on business letters
SG4		O	9	CTA-COM
CTA	16	M	1	Contact person or department delivery address
COM	17	O	9	Communication number
SG2		R	1	NAD
NAD	18	M	1	Identification of the Logistic Service Provider (Warehouse)
SG2		D	1	NAD-SG3-SG4
NAD	19	M	1	Identification of the delivery party
SG3		O	9	RFF
RFF	20	M	1	Additional identification of the receiver
SG4		O	9	CTA-COM
CTA	21	M	1	Contact person or department receiver
COM	22	O	9	Communication number
SG2		D	1	NAD-SG3-SG4
NAD	23	M	1	Identification of the place of loading
SG3		O	9	RFF
RFF	24	M	1	Additional identification of the place of loading
SG4		O	9	CTA-COM
CTA	25	M	1	Contact person or department place of loading
COM	26	O	9	Communication number
SG2		O	1	NAD-SG3-SG4
NAD	27	M	1	Identification of the ultimate consignee
SG3		O	9	RFF

Max. Occ. = Maximum occurrence of the segment/group, Status: M=Mandatory, C=Conditional, R=Required, O=Optional, A=Advised, D=Dependent

Message Structure

Seg.	No.	Status	Max Occ	Segment
RFF	28	M	1	Additional identification of the place of loading
SG4		O	9	CTA-COM
CTA	29	M	1	Contact person or department ultimate consignee
COM	30	O	9	Communication number
SG2		O	1	NAD-SG4
NAD	31	M	1	Identification of the freight forwarder
SG4		O	9	CTA-COM
CTA	32	M	1	Contact person or department freight forwarder
COM	33	O	9	Communication number
SG2		R	1	NAD
NAD	34	M	1	Identification of the buyer
SG5		O	1	TOD
TOD	35	M	1	Delivery terms
SG6		O	1	TDT
TDT	36	M	1	Requirements for the means of transport

Detail Section

SG10		R	9999	LIN-PIA-PIA-QTY-GIN-DTM-DTM-DTM-FTX-FTX-MOA
LIN	37	M	1	GTIN Article identification
PIA	38	R	1	Suppliers article number
PIA	39	R	9	Batch number
QTY	40	R	1	Quantity to be delivered
GIN	41	O	99	Serial Shipping Container Code (SSCC)
DTM	42	O	1	Best before date
DTM	43	O	1	Minimum remaining time
DTM	44	O	1	Total remaining time
FTX	45	O	9	Delivery informationen
FTX	46	O	9	Delivery informationen
MOA	47	O	1	Cash on delivery amount

Summary Section

UNS	48	M	1	Section control
UNT	49	M	1	End of message
UNZ	50	M	1	End of the transmission file

Max. Occ. = Maximum occurrence of the segment/group, Status: M=Mandatory, C=Conditional, R=Required, O=Optional, A=Advised, D=Dependent

Segment Layout

No. Seg	St	Max. Occ.			
1		R 1	UNA Service string advice		
To define the characters selected for use as delimiters and indicators in the rest of the interchange that follows.					
Business Term	DE	EDIFACT	Format	St	* Description
Component data element separator	UNA1	Component data element separator	an1	M	Default value: ":"
Data element separator	UNA2	Data element separator	an1	M	Default value: "+"
Decimal notation	UNA3	Decimal notation	an1	M	Default value: "."
Release character	UNA4	Release indicator	an1	M	Default value: "?"
Reserved for future use	UNA5	Reserved for future use	an1	M	(Default value: space)
Segment terminator	UNA6	Segment terminator	an1	M	Default value: "' '
<p>Segmentstatus: Mandatory</p> <p>The use of the UNA segment is mandatory, if character set "A" (UNB,DE0001) is not used. For international EDI the use of character set UNOA is recommended. For national (German) EDI the use of UNOC is reasonable because it contains lower case letters and umlauts.</p> <p>Example: UNA:+.?' '</p> <p>The UNA segment contains the default service string characters.</p>					

Max. Occ. = Maximum Occurrence, St = Status, * = Restricted Codes
 Status: M=Mandatory, R=Required, O=Optional, D=Dependent, A=Advised, N=Not used

Segment Layout

No. Seg	St	Max. Occ.				
2	UNB	M 1	Interchange header To start, identify and specify an interchange.			
Business Term	DE	EDIFACT	Format	St	*	Description
	S001	Syntax identifier		M		
Character set	0001	Syntax identifier	a4	M		UNOA UN/ECE level A UNOB UN/ECE level B UNOC UN/ECE level C UNOD UN/ECE level D UNOE UN/ECE level E UNOF UN/ECE level F
Syntax version	0002	Syntax version number	n1	M	*	3 Version 3
	S002	Interchange sender		M		
Indentification of the sender of the transmission file	0004	Sender identification	an..35	M		= Global Location Number (GLN)
	0007	Partner identification code qualifier	an..4	R	*	14 GS1
Address for reverse routing	0008	Address for reverse routing	an..14	O		See note
	S003	Interchange recipient		M		
Indentification of the receiver of the transmission file	0010	Recipient identification	an..35	M		= Global Location Number (GLN)
	0007	Partner identification code qualifier	an..4	R	*	14 GS1
Routing address	0014	Routing address	an..14	O		See note
	S004	Date/time of preparation		M		
File creation date	0017	Date of preparation	n6	M		= Dateformat JJMMTT
File creation time	0019	Time of preparation	n4	M		= Timeformat HHMM
Interchange control reference, beginnig	0020	Interchange control reference	an..14	M		= Unique senders reference
	S005	Recipient's reference, password		O		
Password interchange	0022	Recipient's reference/password	an..14	M		
	0025	Recipient's reference/password qualifier	an2	O	*	AA Reference BB Password
Application reference	0026	Application reference	an..14	O		Message type if the transmission fole contains only one message type
	0029	Processing priority code	a1	O	*	A Highest priority
Acknowledgement request	0031	Acknowledgement request	n1	O		
EANCOM	0032	Communications agreement ID	an..35	R		= EANCOM... EDIFACT subset identification (see note)
Test indicator	0035	Test indicator	n1	O	*	1 Interchange is a test

Max. Occ. = Maximum Occurrence, St = Status, * = Restricted Codes
Status: M=Mandatory, R=Required, O=Optional, D=Dependent, A=Advised, N=Not used

Segment Layout

Segmentstatus: Mandatory

For international EDI the use of character set UNOA is recommended. For national (German) EDI the use of UNOC is reasonable because it contains lower case letters and umlauts.

Note DE 0008:

The address for reverse routing is provided by the interchange sender to inform the interchange recipient of the address within the sender's (source) system to which responding interchanges must be sent. It is recommended that the GLN be used for this purpose.

Note DE 0014:

The routing address is used to identify the receiver, if a provider adds service values for the actual receiver (e.g. consolidated companies, corporate group). The use of the identification system (e.g. GLN) has to be agreed bilaterally.

Note DE 0020:

This data element must contain a consistent sequential number per interchange between sender and receiver of the transmission.

Note DE 0032:

This data element is used to identify any underlying agreements which control the exchange of data. Within EANCOM, the identity of such agreements must start with the letters 'EANCOM', the remaining characters within the data element being filled according to bilateral agreements.

Example: UNB+UNOC:3+401234500009:14:401234500018+40000400002:14:400004000099+161013:1043+4711+REF:AA+++EANCOM+1'

The EANCOM file 4711 dated 13.10.2016, 10 h 43 is sent by the issuer identified with GLN 4012345000009 to the receiver identified with GLN 400004000002.

Max. Occ. = Maximum Occurrence, St = Status, * = Restricted Codes

Status: M=Mandatory, R=Required, O=Optional, D=Dependent, A=Advised, N=Not used

Segment Layout

No. Seg	St	Max. Occ.				
3	UNH	M 1	Message header To head, identify and specify a message.			
Business Term	DE	EDIFACT	Format	St	*	Description
Message reference number	0062	Message reference number	an..14	M		Senders unique message reference. Sequence number of the messages in the interchange. DE 0062 in the UNT will be identical. Sender generated, e.g. ME000001.
	S009	Message identifier		M		
	0065	Message type	an..6	M	*	INSDDES Instruction to despatch message
	0052	Message version number	an..3	M	*	D Draft version/ UN/EDIFACT Directory
	0054	Message release number	an..3	M	*	01B Release 2001 - B
	0051	Controlling agency	an..2	M	*	UN UN/CEFACT
	0057	Association assigned code	an..6	R	*	EAN003 GS1 version control number (GS1 Permanent Code)
<p>Segmentstatus: Mandatory This segment is used to head, identify and specify a message. Example: UNH+ME000001+INSDDES:D:01B:UN:EAN003' The reference number of the INSDDES message is ME000001.</p>						

Max. Occ. = Maximum Occurrence, St = Status, * = Restricted Codes
 Status: M=Mandatory, R=Required, O=Optional, D=Dependent, A=Advised, N=Not used

Segment Layout

No.	Seg	St	Max. Occ.			
4	BGM	M	1	Beginning of message To indicate the type and function of a message and to transmit the identifying number.		
Business Term	DE	EDIFACT	Format	St	*	Description
	C002	Document/message name		R		
	1001	Document name code	an..3	R	*	240 Delivery instructions
	C106	Document/message identification		R		
Outsourcing contract number	1004	Document identifier	an..35	R		
	1225	Message function code	an..3	R		9 Original
<p>Segmentstatus: Mandatory This segment is used to indicate the type and function of a message and to transmit the identifying number. The unique outsourcing order number created by the customer is only exchanged between the customer and the service provider. On the basis of this number, the order is returned from the service provider to the customer. This number is not necessarily related to the order number of the customer generated by the order of the goods recipient at the customer. In the sense of a best practice application the DE 1225 should always be the original original transmission of the picking order.</p> <p>Example: BGM+240+4712+9' The Document Number is 4712.</p>						

Max. Occ. = Maximum Occurrence, St = Status, * = Restricted Codes
 Status: M=Mandatory, R=Required, O=Optional, D=Dependent, A=Advised, N=Not used

Segment Layout

No.	Seg	St	Max.	Occ.			
5	DTM	R	1		Date/time/period To specify date, and/or time, or period.		
Business Term	DE	EDIFACT	Format	St	*	Description	
	C507	Date/time/period		M			
	2005	Date or time or period function code qualifier	an..3	M	*	137 Document/ message date/ time	
Creation date	2380	Date or time or period value	an..35	R			
	2379	Date or time or period format code	an..3	R		102 CCYYMMDD 203 CCYYMMDDHHMM	
<p>Segmentstatus: Mandatory Identification of the 'Document/message date/time' (code value 137) is mandatory in the invoice message.</p> <p>Example: <code>DTM+137:20160823:102'</code> The document date is the 23th of August 2016.</p> <p>Example: <code>DTM+137:201701100800:203'</code> The document date is the 23th of August 2016, 8 o'clock.</p>							

Max. Occ. = Maximum Occurrence, St = Status, * = Restricted Codes
 Status: M=Mandatory, R=Required, O=Optional, D=Dependent, A=Advised, N=Not used

Segment Layout

No.	Seg	St	Max.	Occ.			
6	DTM	O	1		Date/time/period To specify date, and/or time, or period.		
Business Term	DE	EDIFACT	Format	St	*	Description	
	C507	Date/time/period		M			
	2005	Date or time or period function code qualifier	an..3	M	*	2 Delivery date/ time, requested	
Delivery date, requested	2380	Date or time or period value	an..35	R			
	2379	Date or time or period format code	an..3	R		102 CCYMMDD 203 CCYMMDDHHMM 719 CCYMMDDHHMM- CCYMMDDHHMM	
Segmentstatus: Optional Date and / or time of the requested delivery date. Example: DTM+2:20160606:102' The requested delivery date is 6th of June 2016.							

Max. Occ. = Maximum Occurrence, St = Status, * = Restricted Codes
 Status: M=Mandatory, R=Required, O=Optional, D=Dependent, A=Advised, N=Not used

Segment Layout

No.	Seg	St	Max.	Occ.			
7	DTM	O	1		Date/time/period To specify date, and/or time, or period.		
Business Term	DE	EDIFACT	Format	St	*	Description	
	C507	Date/time/period		M			
	2005	Date or time or period function code qualifier	an..3	M		10 Shipment date/ time, requested	
Gefordertes Versanddatum	2380	Date or time or period value	an..35	R			
	2379	Date or time or period format code	an..3	R		102 CCYYMMDD 203 CCYYMMDDHHMM 719 CCYYMMDDHHMM - CCYYMMDDHHMM	
Segmentstatus: Optional Date and / or time of the requested shipping date. Example: DTM+10:20160605:102' The requested shipping date is 5th of June 2016.							

Max. Occ. = Maximum Occurrence, St = Status, * = Restricted Codes
 Status: M=Mandatory, R=Required, O=Optional, D=Dependent, A=Advised, N=Not used

Segment Layout

No. Seg	St	Max. Occ.				
8	FTX	O 9	Free text To provide free form or coded text information.			
Business Term	DE	EDIFACT	Format	St	*	Description
	4451	Text subject code qualifier	an..3	M	*	DEL Delivery information
	4453	Free text function code	an..3	O	*	1 Text for subsequent use
	C107	Text reference		D		
	4441	Free text value code	an..17	M		Agreed text key
	C108	Text literal		D		
Delivery information 1	4440	Free text value	an..512	M		
Delivery information 2	4440	Free text value	an..512	O		
Delivery information 3	4440	Free text value	an..512	O		
Delivery information 4	4440	Free text value	an..512	O		
Delivery information 5	4440	Free text value	an..512	O		
	3453	Language name code	an..3	D		DE German ISO 639 2-Alpha Code

Segmentstatus: Optional

This segment is used to provide free form or coded text information related to specific information such as delivery notes.

Use of this segment in free form is not recommended since it may inhibit automatic processing of the Transport Instruction. Coded references to standard texts is an available functionality which enables automatic processing and reduces transmission overheads. Standard texts should be mutually defined between trading partners and can be used to cover legal or other requirements.

Note:

DEG C107: This composite is only used when trading partners have agreed to use mutually defined code values.

DEG C108: This composite is only used if coded text can not be used. DE 4440 must be used if DEG C108 are used.

DE 3453: ISO 639 two alpha code - This data element is only used when non coded free text has been provided in data element C108.

Example: `FTX+DEL+1++Lieferinformation1:Lieferinformation2:Lieferinformation3:Lieferinformation4:Lieferinformation5+DE'`
Specification of delivery information.

Max. Occ. = Maximum Occurrence, St = Status, * = Restricted Codes

Status: M=Mandatory, R=Required, O=Optional, D=Dependent, A=Advised, N=Not used

Segment Layout

No. Seg	St	Max. Occ.				
9	FTX	O 9	Free text To provide free form or coded text information.			
Business Term	DE	EDIFACT	Format	St	*	Description
	4451	Text subject code qualifier	an..3	M	*	DSI Information to be printed on despatch advice (GS1 Temporary Code)
	4453	Free text function code	an..3	O	*	1 Text for subsequent use
	C107	Text reference		D		
	4441	Free text value code	an..17	M		Agreed text key
	C108	Text literal		D		
Delivery note text 1	4440	Free text value	an..512	M		
Delivery note text 2	4440	Free text value	an..512	O		
Delivery note text 3	4440	Free text value	an..512	O		
Delivery note text 4	4440	Free text value	an..512	O		
Delivery note text 5	4440	Free text value	an..512	O		
	3453	Language name code	an..3	D		DE German ISO 639 2-Alpha Code

Segmentstatus: Optional

This segment is used to provide free form or coded text information related to specific information on a delivery note.

Use of this segment in free form is not recommended since it may inhibit automatic processing of the Transport Instruction. Coded references to standard texts is an available functionality which enables automatic processing and reduces transmission overheads. Standard texts should be mutually defined between trading partners and can be used to cover legal or other requirements.

Note:

DEG C107: This composite is only used when trading partners have agreed to use mutually defined code values.

DEG C108: This composite is only used if coded text can not be used. DE 4440 must be used if DEG C108 are used.

DE 3453: ISO 639 two alpha code - This data element is only used when non coded free text has been provided in data element C108.

Example: FTX+DSI+1++Lieferpapiertext1:Lieferpapiertext2:Lieferpapiertext3:Lieferpapiertext4:Lieferpapiertext5+DE'
Specification on a delivery note.

Max. Occ. = Maximum Occurrence, St = Status, * = Restricted Codes

Status: M=Mandatory, R=Required, O=Optional, D=Dependent, A=Advised, N=Not used

Segment Layout

No. Seg	St	Max. Occ.				
10	FTX	O 9	Free text To provide free form or coded text information.			
Business Term	DE	EDIFACT	Format	St	*	Description
	4451	Text subject code qualifier	an..3	M	*	HAN Handling instructions
	4453	Free text function code	an..3	O	*	1 Text for subsequent use
	C107	Text reference		D		
	4441	Free text value code	an..17	M		Agreed text key
	C108	Text literal		D		
Handling instruction 1	4440	Free text value	an..512	M		
Handling instruction 2	4440	Free text value	an..512	O		
Handling instruction 3	4440	Free text value	an..512	O		
Handling instruction 4	4440	Free text value	an..512	O		
Handling instruction 5	4440	Free text value	an..512	O		
	3453	Language name code	an..3	D		DE German ISO 639 2-Alpha Code

Segmentstatus: Optional

This segment is used to provide free form or coded text information related to handling instructions.

Use of this segment in free form is not recommended since it may inhibit automatic processing of the Transport Instruction. Coded references to standard texts is an available functionality which enables automatic processing and reduces transmission overheads. Standard texts should be mutually defined between trading partners and can be used to cover legal or other requirements.

Note:

DEG C107: This composite is only used when trading partners have agreed to use mutually defined code values.

DEG C108: This composite is only used if coded text can not be used. DE 4440 must be used if DEG C108 are used.

DE 3453: ISO 639 two alpha code - This data element is only used when non coded free text has been provided in data element C108.

Example: FTX+HAN+1++Anweisung1:Anweisung2:Anweisung3:Anweisung4:Anweisung5+DE'
Specification of handling instructions.

Max. Occ. = Maximum Occurrence, St = Status, * = Restricted Codes

Status: M=Mandatory, R=Required, O=Optional, D=Dependent, A=Advised, N=Not used

Segment Layout

No.	Seg	St	Max.	Occ.		
11	SG1	O	1		RFF	
	RFF	M	1		Reference	
To specify a reference.						
Business Term	DE	EDIFACT	Format	St	*	Description
	C506	Reference		M		
	1153	Reference code qualifier	an..3	M	*	ON Order number (buyer)
Order number (delivery party)	1154	Reference identifier	an..70	R		
<p>Segmentstatus: Optional This segment refers to the order number of the delivery party. The order number of the delivery party is required to identify the order. If the outsourcing order for a customer delivery is provided, the order number of the goods recipient must be specified. If goods are not intended for a customer, an order number is not required.</p> <p>Example: RFF+ON:123456 ' The message references to the delivery party order number 3425.</p>						

Max. Occ. = Maximum Occurrence, St = Status, * = Restricted Codes
 Status: M=Mandatory, R=Required, O=Optional, D=Dependent, A=Advised, N=Not used

Segment Layout

No.	Seg	St	Max. Occ.			
12	SG1	O	1	RFF		
	RFF	M	1	Reference		
To specify a reference.						
Business Term	DE	EDIFACT	Format	St	*	Description
	C506	Reference		M		
	1153	Reference code qualifier	an..3	M	*	VN Order number (supplier)
Order number (customer)	1154	Reference identifier	an..70	R		
<p>Segmentstatus: Optional This segment references the (internal) order number of the customer. The internal order number of the customer order with the customer is to be interpreted as the counterpart to the order number of the goods recipient. This is particularly important when the service provider prints delivery notes.</p> <p>Example: RFF+VN:225897' The message references to the order number 225897.</p>						

Max. Occ. = Maximum Occurrence, St = Status, * = Restricted Codes
 Status: M=Mandatory, R=Required, O=Optional, D=Dependent, A=Advised, N=Not used

Segment Layout

No.	Seg	St	Max. Occ.			
13	SG2	R	1	NAD-SG3-SG4		
	NAD	M	1	Name and address		
To specify the name/address and their related function, either by C082 only and/or unstructured by C058 or structured by C080 thru 3207.						
Business Term	DE	EDIFACT	Format	St	*	Description
	3035	Party function code qualifier	an..3	M	*	SU Supplier
	C082	Party identification details		A		
Identifikation des Auftraggebers	3039	Party identifier	an..35	M		Globale Lokationsnummer (GLN) - Format n13
	1131	Code list identification code	an..17	N		
	3055	Code list responsible agency code	an..3	R	*	9 GS1
	C058	Name and address		O		This composite may only be used to fulfill the requirements of directive 2003/58/EG, article 4. If applicable the message sender gets the possibility to give the relevant statements at this place. If C058 ist not sufficient, more declaration can be given in following RFF+GN... segments.
	3124	Name and address description	an..35	N		
	3124	Name and address description	an..35	O		
	3124	Name and address description	an..35	O		
	3124	Name and address description	an..35	O		
	3124	Name and address description	an..35	O		
	C080	Party name		D		
Name 1 of the customer	3036	Party name	an..35	M		
Name 2 of the customer	3036	Party name	an..35	O		
	C059	Street		D		
Street and number of the customer	3042	Street and number or post office box identifier	an..35	M		
Place of the customer - name of a city (town, village) for adressing purposes.	3164	City name	an..35	D		
	C819	Country sub-entity details		D		
Identification of the name of	3229	Country sub-entity name code	an..9	O		

Max. Occ. = Maximum Occurrence, St = Status, * = Restricted Codes
 Status: M=Mandatory, R=Required, O=Optional, D=Dependent, A=Advised, N=Not used

Segment Layout

Business Term	DE	EDIFACT	Format	St	*	Description
sub-entities (state, province) defined by appropriate governmental agencies						
Postcode of the customer	3251	Postal identification code	an..17	D		
Country of the customer, coded	3207	Country name code	an..3	D		DE GERMANY
<p>Segmentstatus: Mandatory</p> <p>The NAD segment is used to specify the name and address as well as function of a partner, either only by the data element group C082 or structured by the data element group C080 to 3207.</p> <p>DE 3039: The use of the Global Location Number (GLN) is recommended for the identification of the partners. When GLN is used, it is sufficient.</p> <p>For recipients who do not (yet) have a GLN, the address is specified as plain text. In this case, the DE group C082 remains empty.</p> <p>Example: NAD+SU+4000862141404::9+:X:X:X:X+FIRMA A:HERR Meyer+HAUPTSTRASSE 23+Bonn++53179+DE</p> <p>The sender has the GLN 4000862141404.</p>						

Max. Occ. = Maximum Occurrence, St = Status, * = Restricted Codes
 Status: M=Mandatory, R=Required, O=Optional, D=Dependent, A=Advised, N=Not used

Segment Layout

No.	Seg	St	Max. Occ.				
14	SG2	R	1	NAD-SG3-SG4			
	SG3	O	9	RFF			
	RFF	M	1	Reference			
	To specify a reference.						
Business Term		DE	EDIFACT	Format	St	*	Description
		C506	Reference		M		
		1153	Reference code qualifier	an..3	M	*	YC1 Additional party identification (GS1 Temporary Code)
Additional identification of the delivery address		1154	Reference identifier	an..70	R		
<p>Segmentstatus: Optional This segment is used to specify references to the transport participant named in the NAD segment. Example: RFF+YC1:34565' The additional identification of the delivery address is 34565.</p>							

Max. Occ. = Maximum Occurrence, St = Status, * = Restricted Codes
 Status: M=Mandatory, R=Required, O=Optional, D=Dependent, A=Advised, N=Not used

Segment Layout

No.	Seg	St	Max. Occ.				
15	SG2	R	1	NAD-SG3-SG4			
	SG3	D	9	RFF			
	RFF	M	1	Reference			
To specify a reference.							
Business Term		DE	EDIFACT	Format	St	*	Description
		C506	Reference		M		
		1153	Reference code qualifier	an..3	M	*	GN Government reference number
Statements on business letters		1154	Reference identifier	an..70	R		
<p>Segmentstatus: Depending This RFF segment may only be used if the preceding NAD has not enough space to fulfill the requirements of directive 2003/58/EG, article 4.</p> <p>Example: RFF+GN:HRB-471111' German Statements on business letters: HRB-471111.</p>							

Max. Occ. = Maximum Occurrence, St = Status, * = Restricted Codes
 Status: M=Mandatory, R=Required, O=Optional, D=Dependent, A=Advised, N=Not used

Segment Layout

No.	Seg	St	Max.	Occ.	
16	SG2	R	1		NAD-SG3-SG4
	SG4	O	9		CTA-COM
	CTA	M	1		Contact information
To identify a person or a department to whom communication should be directed.					
Business Term	DE	EDIFACT	Format	St	* Description
	3139	Contact function code	an..3	R	* IC Information contact
	C056	Department or employee details		O	
Department	3413	Department or employee name code	an..17	O	
Name of the contact person	3412	Department or employee name	an..35	O	
<p>Segmentstatus: Optional This segment is used to specify a department and a person of the company specified in the NAD segment. For possible checkback this segment can provide a person to turn to.</p> <p>Example: CTA+IC+:Claus Früh' Contact person is Claus Früh.</p>					

Max. Occ. = Maximum Occurrence, St = Status, * = Restricted Codes
 Status: M=Mandatory, R=Required, O=Optional, D=Dependent, A=Advised, N=Not used

Segment Layout

No.	Seg	St	Max. Occ.			
17	SG2	R	1	NAD-SG3-SG4		
	SG4	O	9	CTA-COM		
	COM	O	9	Communication contact		
To identify a communication number of a department or a person to whom communication should be directed.						
Business Term		DE	EDIFACT	Format	St	* Description
		C076	Communication contact		M	
Communication number		3148	Communication address identifier	an..512	M	
		3155	Communication address code qualifier	an..3	M	TE Telephone
<p>Segmentstatus: Optional</p> <p>This segment identifies the communications number and type of communications for the person or department identified in the previous CTA segment.</p> <p>Example: COM+01666688771:TE'</p> <p>The phone number is 01666688771.</p>						

Max. Occ. = Maximum Occurrence, St = Status, * = Restricted Codes
 Status: M=Mandatory, R=Required, O=Optional, D=Dependent, A=Advised, N=Not used

Segment Layout

No.	Seg	St	Max. Occ.			
18	SG2	R	1	NAD		
	NAD	M	1	Name and address		
To specify the name/address and their related function, either by C082 only and/or unstructured by C058 or structured by C080 thru 3207.						
Business Term	DE	EDIFACT	Format	St	*	Description
	3035	Party function code qualifier	an..3	M	*	LSP Logistic Service Provider (GS1 Temporary Code)
	C082	Party identification details		A		
Identification of the Logistic Service Provider (Warehouse)	3039	Party identifier	an..35	M		Global Location Number (GLN) - Format n13
	1131	Code list identification code	an..17	N		
	3055	Code list responsible agency code	an..3	R	*	9 GS1
Segmentstatus: Mandatory The Logistic Service Provider (Warehouse) is identified by GLN. Example: NAD+LSP+4399899175941::9' The GLN of the Logistc Servie Provider (Warehouse) is 4399899175941.						

Max. Occ. = Maximum Occurrence, St = Status, * = Restricted Codes
 Status: M=Mandatory, R=Required, O=Optional, D=Dependent, A=Advised, N=Not used

Segment Layout

No.	Seg	St	Max. Occ.			
19	SG2	D	1	NAD-SG3-SG4		
	NAD	M	1	Name and address		
To specify the name/address and their related function, either by C082 only and/or unstructured by C058 or structured by C080 thru 3207.						
Business Term	DE	EDIFACT	Format	St	*	Description
	3035	Party function code qualifier	an..3	M	*	DP Delivery party
	C082	Party identification details		A		
Identifikation des Warenempfängers Identification of the delivery party	3039	Party identifier	an..35	M		Global Location Number (GLN) - Format n13
	1131	Code list identification code	an..17	N		
	3055	Code list responsible agency code	an..3	R	*	9 GS1
	C058	Name and address		N		
	3124	Name and address description	an..35			
	C080	Party name		D		
Name 1 of the receiver	3036	Party name	an..35	M		
Name 2 of the receiver	3036	Party name	an..35	O		
	C059	Street		D		
Street and number of the receiver	3042	Street and number or post office box identifier	an..35	M		
Place of the receiver - name of a city (town, village) for addressing purposes.	3164	City name	an..35	D		
	C819	Country sub-entity details		D		
Identification of the name of sub-entities (state, province) defined by appropriate governmental agencies	3229	Country sub-entity name code	an..9	O		
Postcode of the receiver	3251	Postal identification code	an..17	D		
Country of the receiver, coded	3207	Country name code	an..3	D		DE GERMANY
<p>Segmentstatus: Depending</p> <p>Note: Either the goods recipient, or the transfer point (NAD + PW) must be specified. If the transfer point is specified, the delivery date (DTM + 2) is a so-called pick-up date.</p> <p>The NAD segment is used to specify the name and address as well as function of a partner, either only by the data element group C082 or structured by the data element group C080 to 3207.</p> <p>DE 3039: The use of the Global Location Number (GLN) is recommended for the identification of the partners. When GLN is used, it is sufficient.</p> <p>For recipients who do not (yet) have a GLN, the address is specified as plain text. In this case, the</p>						

Max. Occ. = Maximum Occurrence, St = Status, * = Restricted Codes

Status: M=Mandatory, R=Required, O=Optional, D=Dependent, A=Advised, N=Not used

Segment Layout

DE group C082 remains empty.

Example: NAD+DP+4012345500004: :9++FIRMA B:HERR KLOSE+KREUTZSTRASSE 14+HAMBURG++22297+DE '

The delivery party has the GLN 4012345500004.

Segment Layout

No.	Seg	St	Max. Occ.			
20	SG2	D	1	NAD-SG3-SG4		
	SG3	O	9	RFF		
	RFF	M	1	Reference		
To specify a reference.						
Business Term		DE	EDIFACT	Format	St	* Description
		C506	Reference		M	
		1153	Reference code qualifier	an..3	M	* YC1 Additional party identification (GS1 Temporary Code)
Additional identification of the receiver		1154	Reference identifier	an..70	R	
<p>Segmentstatus: Optional This segment is used to specify references to the receiver named in the NAD segment.</p> <p>Example: RFF+YC1:14587' The additional identification of the receiver address is 14587.</p>						

Max. Occ. = Maximum Occurrence, St = Status, * = Restricted Codes
 Status: M=Mandatory, R=Required, O=Optional, D=Dependent, A=Advised, N=Not used

Segment Layout

No.	Seg	St	Max.	Occ.		
21	SG2	D	1		NAD-SG3-SG4	
	SG4	O	9		CTA-COM	
	CTA	M	1		Contact information	
To identify a person or a department to whom communication should be directed.						
Business Term	DE	EDIFACT	Format	St	*	Description
	3139	Contact function code	an..3	R	*	IC Information contact
	C056	Department or employee details		O		
Department	3413	Department or employee name code	an..17	O		
Name of the contact person	3412	Department or employee name	an..35	O		
<p>Segmentstatus: Optional This segment is used to specify a department and a person of the company specified in the NAD segment. For possible checkback this segment can provide a person to turn to.</p> <p>Example: CTA+IC+:Claus Späth' Contact person is Claus Späth.</p>						

Max. Occ. = Maximum Occurrence, St = Status, * = Restricted Codes
 Status: M=Mandatory, R=Required, O=Optional, D=Dependent, A=Advised, N=Not used

Segment Layout

No. Seg	St	Max. Occ.				
22	SG2	D 1	NAD-SG3-SG4			
	SG4	O 9	CTA-COM			
	COM	O 9	Communication contact To identify a communication number of a department or a person to whom communication should be directed.			
Business Term	DE	EDIFACT	Format	St	*	Description
	C076	Communication contact		M		
Communication number	3148	Communication address identifier	an..512	M		
	3155	Communication address code qualifier	an..3	M		TE Telephone
<p>Segmentstatus: Optional This segment identifies the communications number and type of communications for the person or department identified in the previous CTA segment.</p> <p>Example: COM+015687646551:TE' The phone number is 015687646551.</p>						

Max. Occ. = Maximum Occurrence, St = Status, * = Restricted Codes
 Status: M=Mandatory, R=Required, O=Optional, D=Dependent, A=Advised, N=Not used

Segment Layout

No. Seg	St	Max. Occ.				
23	SG2	D 1	NAD-SG3-SG4			
	NAD	M 1	Name and address			
To specify the name/address and their related function, either by C082 only and/or unstructured by C058 or structured by C080 thru 3207.						
Business Term	DE	EDIFACT	Format	St	*	Description
	3035	Party function code qualifier	an..3	M	*	PW Despatch party
	C082	Party identification details		A		
Identifikation der Übernahmestelle Identification of the place of loading	3039	Party identifier	an..35	M		Global Location Number (GLN) - Format n13
	1131	Code list identification code	an..17	N		
	3055	Code list responsible agency code	an..3	R	*	9 GS1
	C058	Name and address		N		
	3124	Name and address description	an..35			
	C080	Party name		D		
Name 1 of the place of loading	3036	Party name	an..35	M		
Name 2 of the place of loading	3036	Party name	an..35	O		
	C059	Street		D		
Street and number of the place of loading	3042	Street and number or post office box identifier	an..35	M		
Place of loading - name of a city (town, village) for addressing purposes.	3164	City name	an..35	D		
	C819	Country sub-entity details		D		
Identification of the name of sub-entities (state, province) defined by appropriate governmental agencies	3229	Country sub-entity name code	an..9	O		
Postcode of the place of loading	3251	Postal identification code	an..17	D		
Country of the place of loading, coded	3207	Country name code	an..3	D		DE GERMANY
<p>Segmentstatus: Depending</p> <p>The NAD segment is used to specify the name and address as well as function of a partner, either only by the data element group C082 or structured by the data element group C080 to 3207.</p> <p>DE 3039: The use of the Global Location Number (GLN) is recommended for the identification of the partners. When GLN is used, it is sufficient.</p> <p>For places of loading which do not (yet) have a GLN, the address is specified as plain text. In this</p>						

Max. Occ. = Maximum Occurrence, St = Status, * = Restricted Codes

Status: M=Mandatory, R=Required, O=Optional, D=Dependent, A=Advised, N=Not used

Segment Layout

case, the DE group C082 remains empty.

Example: `NAD+PW+4012345500004: :9++FIRMA B:HERR KLOSE+KREUTZSTRASSE 14+HAMBURG++22297+DE '`

Die Übernahmestelle hat die GLN 4012345500004.

The place of loading has the GLN 4012345500004.

Segment Layout

No.	Seg	St	Max. Occ.				
24	SG2	D	1	NAD-SG3-SG4			
	SG3	O	9	RFF			
	RFF	M	1	Reference			
	To specify a reference.						
Business Term		DE	EDIFACT	Format	St	*	Description
		C506	Reference		M		
		1153	Reference code qualifier	an..3	M	*	YC1 Additional party identification (GS1 Temporary Code)
Additional identification of the place of loading		1154	Reference identifier	an..70	R		
<p>Segmentstatus: Optional This segment is used to specify references to the place of loading named in the NAD segment. Example: RFF+YC1:14587' The additional identification of the place of loading address is 14587.</p>							

Max. Occ. = Maximum Occurrence, St = Status, * = Restricted Codes
 Status: M=Mandatory, R=Required, O=Optional, D=Dependent, A=Advised, N=Not used

Segment Layout

No.	Seg	St	Max.	Occ.		
25	SG2	D	1		NAD-SG3-SG4	
	SG4	O	9		CTA-COM	
	CTA	M	1		Contact information	
To identify a person or a department to whom communication should be directed.						
Business Term		DE	EDIFACT	Format	St	* Description
		3139	Contact function code	an..3	R	* IC Information contact
		C056	Department or employee details		O	
	Department	3413	Department or employee name code	an..17	O	
	Name of the contact person	3412	Department or employee name	an..35	O	
<p>Segmentstatus: Optional This segment is used to specify a department and a person of the company specified in the NAD segment. For possible checkback this segment can provide a person to turn to.</p> <p>Example: CTA+IC+:Claus Nie' Contact person is Claus Nie.</p>						

Max. Occ. = Maximum Occurrence, St = Status, * = Restricted Codes
 Status: M=Mandatory, R=Required, O=Optional, D=Dependent, A=Advised, N=Not used

Segment Layout

No.	Seg	St	Max. Occ.			
26	SG2	D	1	NAD-SG3-SG4		
	SG4	O	9	CTA-COM		
	COM	O	9	Communication contact To identify a communication number of a department or a person to whom communication should be directed.		
Business Term		DE	EDIFACT	Format	St	* Description
		C076	Communication contact		M	
Communication number		3148	Communication address identifier	an..512	M	
		3155	Communication address code qualifier	an..3	M	TE Telephone
<p>Segmentstatus: Optional This segment identifies the communications number and type of communications for the person or department identified in the previous CTA segment.</p> <p>Example: COM+05684615:TE' The phone number is 05684615.</p>						

Max. Occ. = Maximum Occurrence, St = Status, * = Restricted Codes
 Status: M=Mandatory, R=Required, O=Optional, D=Dependent, A=Advised, N=Not used

Segment Layout

No.	Seg	St	Max. Occ.			
27	SG2	O	1	NAD-SG3-SG4		
	NAD	M	1	Name and address		
To specify the name/address and their related function, either by C082 only and/or unstructured by C058 or structured by C080 thru 3207.						
Business Term	DE	EDIFACT	Format	St	*	Description
	3035	Party function code qualifier	an..3	M	*	UC Ultimate consignee
	C082	Party identification details		A		
Identification of the ultimate consignee	3039	Party identifier	an..35	M		Global Location Number (GLN) - Format n13
	1131	Code list identification code	an..17	N		
	3055	Code list responsible agency code	an..3	R	*	9 GS1
	C058	Name and address		N		
	3124	Name and address description	an..35			
	C080	Party name		D		
Name 1 of the ultimate consignee	3036	Party name	an..35	M		
Name 2 of the ultimate consignee	3036	Party name	an..35	O		
	C059	Street		D		
Street and number of the ultimate consignee	3042	Street and number or post office box identifier	an..35	M		
Place of the ultimate consignee - name of a city (town, village) for addressing purposes.	3164	City name	an..35	D		
	C819	Country sub-entity details		D		
Identification of the name of sub-entities (state, province) defined by appropriate governmental agencies	3229	Country sub-entity name code	an..9	O		
Postcode of the ultimate consignee	3251	Postal identification code	an..17	D		
Country of the ultimate consignee, coded	3207	Country name code	an..3	D		DE GERMANY
<p>Segmentstatus: Optional</p> <p>The NAD segment is used to specify the name and address as well as function of a partner, either only by the data element group C082 or structured by the data element group C080 to 3207.</p> <p>DE 3039: The use of the Global Location Number (GLN) is recommended for the identification of the partners. When GLN is used, it is sufficient.</p> <p>For ultimate consignees which do not (yet) have a GLN, the address is specified as plain text. In</p>						

Max. Occ. = Maximum Occurrence, St = Status, * = Restricted Codes

Status: M=Mandatory, R=Required, O=Optional, D=Dependent, A=Advised, N=Not used

Segment Layout

this case, the DE group C082 remains empty.

Example: NAD+UC+5412345000013::9++FIRMA D:HERR KLEIN+BERLINER STRASSE 5+KOELN++50835+DE'

The ultimate consignee has the GLN 5412345000013.

Segment Layout

No.	Seg	St	Max. Occ.				
28	SG2	O	1	NAD-SG3-SG4			
	SG3	O	9	RFF			
	RFF	M	1	Reference To specify a reference.			
Business Term		DE	EDIFACT	Format	St	*	Description
		C506	Reference		M		
		1153	Reference code qualifier	an..3	M	*	YC1 Additional party identification (GS1 Temporary Code)
Additional identification of the ultimate consignee		1154	Reference identifier	an..70	R		
<p>Segmentstatus: Optional This segment is used to specify references to the ultimate consignee named in the NAD segment. Example: RFF+YC1:58472' The additional identification of the ultimate consignee address is 58472.</p>							

Max. Occ. = Maximum Occurrence, St = Status, * = Restricted Codes
 Status: M=Mandatory, R=Required, O=Optional, D=Dependent, A=Advised, N=Not used

Segment Layout

No.	Seg	St	Max.	Occ.	
29	SG2	O	1		NAD-SG3-SG4
	SG4	O	9		CTA-COM
	CTA	M	1		Contact information
To identify a person or a department to whom communication should be directed.					
Business Term	DE	EDIFACT	Format	St	* Description
	3139	Contact function code	an..3	R	* IC Information contact
	C056	Department or employee details		O	
Department	3413	Department or employee name code	an..17	O	
Name of the contact person	3412	Department or employee name	an..35	O	
<p>Segmentstatus: Optional This segment is used to specify a department and a person of the company specified in the NAD segment. For possible checkback this segment can provide a person to turn to.</p> <p>Example: CTA+IC+:Claus Kramer' Contact person is Claus Kramer.</p>					

Max. Occ. = Maximum Occurrence, St = Status, * = Restricted Codes
 Status: M=Mandatory, R=Required, O=Optional, D=Dependent, A=Advised, N=Not used

Segment Layout

No. Seg	St	Max. Occ.				
30	SG2	O 1	NAD-SG3-SG4			
	SG4	O 9	CTA-COM			
	COM	O 9	Communication contact To identify a communication number of a department or a person to whom communication should be directed.			
Business Term	DE	EDIFACT	Format	St	*	Description
	C076	Communication contact		M		
Communication number	3148	Communication address identifier	an..512	M		
	3155	Communication address code qualifier	an..3	M		TE Telephone
<p>Segmentstatus: Optional This segment identifies the communications number and type of communications for the person or department identified in the previous CTA segment.</p> <p>Example: COM+032624368:TE' The phone number is 032624368.</p>						

Max. Occ. = Maximum Occurrence, St = Status, * = Restricted Codes
 Status: M=Mandatory, R=Required, O=Optional, D=Dependent, A=Advised, N=Not used

Segment Layout

No.	Seg	St	Max. Occ.			
31	SG2	O	1	NAD-SG4		
	NAD	M	1	Name and address To specify the name/address and their related function, either by C082 only and/or unstructured by C058 or structured by C080 thru 3207.		
Business Term	DE	EDIFACT	Format	St	*	Description
	3035	Party function code qualifier	an..3	M	*	CA Carrier
	C082	Party identification details		A		
Identification of the freight forwarder	3039	Party identifier	an..35	M		Global Location Number (GLN) - Format n13
	1131	Code list identification code	an..17	N		
	3055	Code list responsible agency code	an..3	R	*	9 GS1
	C058	Name and address		N		
	3124	Name and address description	an..35			
	C080	Party name		D		
Name 1 of the freight forwarder	3036	Party name	an..35	M		
Name 2 of the freight forwarder	3036	Party name	an..35	O		
	C059	Street		D		
Street and number of the freight forwarder	3042	Street and number or post office box identifier	an..35	M		
Place of the freight forwarder - name of a city (town, village) for addressing purposes.	3164	City name	an..35	D		
	C819	Country sub-entity details		D		
Identification of the name of sub-entities (state, province) defined by appropriate governmental agencies	3229	Country sub-entity name code	an..9	O		
Postcode of the freight forwarder	3251	Postal identification code	an..17	D		
Country of the freight forwarder, coded	3207	Country name code	an..3	D		DE GERMANY
<p>Segmentstatus: Optional The NAD segment is used to specify the name and address as well as function of a partner, either only by the data element group C082 or structured by the data element group C080 to 3207. DE 3039: The use of the Global Location Number (GLN) is recommended for the identification of the partners. When GLN is used, it is sufficient. For freight forwarders which do not (yet) have a GLN, the address is specified as plain text. In this</p>						

Max. Occ. = Maximum Occurrence, St = Status, * = Restricted Codes

Status: M=Mandatory, R=Required, O=Optional, D=Dependent, A=Advised, N=Not used

Segment Layout

case, the DE group C082 remains empty.

Example: `NAD+CA+5412345003434::9++FIRMA X:HERR PETERS+BERLINER STRASSE 3+KOELN++50835+DE'`

The ultimate consignee has the GLN 5412345003434.

Segment Layout

No.	Seg	St	Max.	Occ.	
32	SG2	O	1		NAD-SG4
	SG4	O	9		CTA-COM
	CTA	M	1		Contact information To identify a person or a department to whom communication should be directed.
Business Term	DE	EDIFACT	Format	St	* Description
	3139	Contact function code	an..3	R	* IC Information contact
	C056	Department or employee details		O	
Department	3413	Department or employee name code	an..17	O	
Name of the contact person	3412	Department or employee name	an..35	O	
<p>Segmentstatus: Optional This segment is used to specify a department and a person of the company specified in the NAD segment. For possible checkback this segment can provide a person to turn to.</p> <p>Example: CTA+IC+:Claus Michel' Contact person is Claus Michel.</p>					

Max. Occ. = Maximum Occurrence, St = Status, * = Restricted Codes
 Status: M=Mandatory, R=Required, O=Optional, D=Dependent, A=Advised, N=Not used

Segment Layout

No. Seg	St	Max. Occ.				
33	SG2	O 1	NAD-SG4			
	SG4	O 9	CTA-COM			
	COM	O 9	Communication contact			
To identify a communication number of a department or a person to whom communication should be directed.						
Business Term	DE	EDIFACT	Format	St	*	Description
	C076	Communication contact		M		
Communication number	3148	Communication address identifier	an..512	M		
	3155	Communication address code qualifier	an..3	M		TE Telephone
<p>Segmentstatus: Optional</p> <p>This segment identifies the communications number and type of communications for the person or department identified in the previous CTA segment.</p> <p>Example: COM+02354738463:TE' The phone number is 02354738463.</p>						

Max. Occ. = Maximum Occurrence, St = Status, * = Restricted Codes
 Status: M=Mandatory, R=Required, O=Optional, D=Dependent, A=Advised, N=Not used

Segment Layout

No.	Seg	St	Max. Occ.			
34	SG2	R	1	NAD		
	NAD	M	1	Name and address		
To specify the name/address and their related function, either by C082 only and/or unstructured by C058 or structured by C080 thru 3207.						
Business Term	DE	EDIFACT	Format	St	*	Description
	3035	Party function code qualifier	an..3	M	*	BY Buyer
	C082	Party identification details		A		
Identifikation des Käufers Identification of the buyer	3039	Party identifier	an..35	M		Global Location Number (GLN) - Format n13
	1131	Code list identification code	an..17	N		
	3055	Code list responsible agency code	an..3	R	*	9 GS1
Segmentstatus: Mandatory The buyer is identified by GLN. Example: NAD+BY+4312345001205::9' The buyer has the GLN 4312345001205.						

Max. Occ. = Maximum Occurrence, St = Status, * = Restricted Codes
 Status: M=Mandatory, R=Required, O=Optional, D=Dependent, A=Advised, N=Not used

Segment Layout

No.	Seg	St	Max.	Occ.			
35	SG5	O	1		TOD		
	TOD	M	1		Terms of delivery or transport To specify terms of delivery or transport.		
Business Term		DE	EDIFACT	Format	St	*	Description
		4055	Delivery or transport terms function code	an..3	R	*	6 Delivery condition
		4215	Transport charges payment method code	an..3	N		
		C100	Terms of delivery or transport		R		
Delivery term		4053	Delivery or transport terms description code	an..3	R		CIP Freight, Carriage, Insurance to destination
<p>Segmentstatus: Optional This segment is used to specify delivery terms for the whole message.</p> <p>Example: TOD+6++FOB' Der Gefahrenübergang erfolgt, wenn der Frachtführer die Güter in seine Obhut übernimmt. The transfer of risk occurs when the freight carrier takes over the goods in his custody.</p>							

Max. Occ. = Maximum Occurrence, St = Status, * = Restricted Codes
Status: M=Mandatory, R=Required, O=Optional, D=Dependent, A=Advised, N=Not used

Segment Layout

No.	Seg	St	Max. Occ.			
36	SG6	O	1	TDT		
	TDT	M	1	Details of transport		
To specify the transport details such as mode of transport, means of transport, its conveyance reference number and the identification of the means of transport.						
Business Term	DE	EDIFACT	Format	St	*	Description
	8051	Transport stage code qualifier	an..3	M		20 Main-carriage transport
	8028	Means of transport journey identifier	an..17	O		
	C220	Mode of transport		R		
	8067	Transport mode name code	an..3	R		30 Road transport
	C228	Transport means		O		
	8179	Transport means description code	an..8	D		31 Truck X10 Mail express (GS1 Temporary Code) In the absence of a suitable qualifier, the code X10 is used when the transport service is provided by a private parcel service provider.
	C040	Carrier		D		
GLN of the freight forwarder / parcel service	3127	Carrier identifier	an..17	A		
	1131	Code list identification code	an..17	O		
	3055	Code list responsible agency code	an..3	D		
Name of the freight forwarder / parcel service	3128	Carrier name	an..35	O		
<p>Segmentstatus: Optional</p> <p>With this segment, the sender of the message specifies transport services that are required for delivery.</p> <p>If the freight forwarder is specified in the NAD = CA, the DE group C040 can not be filled.</p> <p>When specifying a parcel service as a freight forwarder, either a GLN and / or the name of the carrier / parcel service is indicated.</p> <p>Example: TDT+20++30+31+4044332001201:::UPS ' The transport is provided by UPS.</p>						

Max. Occ. = Maximum Occurrence, St = Status, * = Restricted Codes
 Status: M=Mandatory, R=Required, O=Optional, D=Dependent, A=Advised, N=Not used

Segment Layout

No. Seg	St	Max. Occ.				
37	SG10	R 9999	LIN-PIA-QTY-GIN-DTM-FTX-MOA			
	LIN	M 1	Line item			
To identify a line item and configuration.						
Business Term	DE	EDIFACT	Format	St	*	Description
Line item number	1082	Line item identifier	an..6	R		Application generated number of the item lines within the message
	1229	Action request/ notification description code	an..3	N		
	C212	Item number identification		D		
GTIN Article identification	7140	Item identifier	an..35	R		GTIN, Format n..14
	7143	Item type identification code	an..3	R	*	SRV GS1 Global Trade Item Number
<p>Segmentstatus: Mandatory</p> <p>This segment specifies the position to which the instructions for the outsourcing order apply.</p> <p>Note: If the outsourcing order refers to one or more packages (for example, a pallet) and contains one or more products with the number of the shipping unit (NVE / SSCC), then only the number of the position (data element 1082). The number (s) of the shipping unit (s) for one or more packages (s) will be indicated in the GIN segment.</p> <p>Example: <code>LIN+1++4000004000050:SRV'</code> The product is identified by GTIN 4000004000050.</p>						

Max. Occ. = Maximum Occurrence, St = Status, * = Restricted Codes
 Status: M=Mandatory, R=Required, O=Optional, D=Dependent, A=Advised, N=Not used

Segment Layout

No.	Seg	St	Max.	Occ.		
38	SG10	R	9999		LIN-PIA-QTY-GIN-DTM-FTX-MOA	
	PIA	R	1		Additional product id To specify additional or substitutional item identification codes.	
Business Term	DE	EDIFACT	Format	St	*	Description
	4347	Product identifier code qualifier	an..3	M	*	1 Additional identification
	C212	Item number identification		M		
Suppliers article number	7140	Item identifier	an..35	R		
	7143	Item type identification code	an..3	R	*	SA Supplier's article number
	1131	Code list identification code	an..17	N		
	3055	Code list responsible agency code	an..3	R	*	91 Assigned by supplier or supplier's agent
Segmentstatus: Mandatory This segment is used to specify the article number of the supplier. Example: PIA+1+ABC1234:SA: :91 ' The suppliers article number is ABC1234.						

Max. Occ. = Maximum Occurrence, St = Status, * = Restricted Codes
 Status: M=Mandatory, R=Required, O=Optional, D=Dependent, A=Advised, N=Not used

Segment Layout

No.	Seg	St	Max.	Occ.			
39	SG10	R	9999		LIN-PIA-QTY-GIN-DTM-FTX-MOA		
	PIA	R	9		Additional product id To specify additional or substitutional item identification codes.		
Business Term		DE	EDIFACT	Format	St	*	Description
		4347	Product identifier code qualifier	an..3	M	*	1 Additional identification
		C212	Item number identification		M		
Batch number		7140	Item identifier	an..35	R		
		7143	Item type identification code	an..3	R	*	NB Batch number
<p>Segmentstatus: Optional This segment is used to specify the batch number.</p> <p>Example: PIA+1+56411234:NB' The batch number is 56411234.</p>							

Max. Occ. = Maximum Occurrence, St = Status, * = Restricted Codes
Status: M=Mandatory, R=Required, O=Optional, D=Dependent, A=Advised, N=Not used

Segment Layout

No.	Seg	St	Max.	Occ.			
40	SG10	R	9999		LIN-PIA-QTY-GIN-DTM-FTX-MOA		
	QTY	R	1		Quantity		
To specify a pertinent quantity.							
Business Term	DE	EDIFACT	Format	St	*	Description	
	C186	Quantity details		M			
	6063	Quantity type code qualifier	an..3	M	*	113 Quantity to be delivered	
Quantity to be delivered	6060	Quantity	an..35	M			
	6411	Measurement unit code	an..3	D		KGM kilogram	
<p>Segmentstatus: Mandatory</p> <p>This segment is used to specify quantities based on the current item.</p> <p>DE 6411 is only used, if the article is a variable quantity article. Default value is piece.</p> <p>If an NVE / SSCC is specified in the GIN segment, a QTY quantity specification is omitted, that means no QTY segment is generated.</p> <p>Example: QTY+113:48' The quantity to be delivered is 48 pieces.</p>							

Max. Occ. = Maximum Occurrence, St = Status, * = Restricted Codes
 Status: M=Mandatory, R=Required, O=Optional, D=Dependent, A=Advised, N=Not used

Segment Layout

No.	Seg	St	Max.	Occ.		
41	SG10	R	9999		LIN-PIA-QTY-GIN-DTM-FTX-MOA	
	GIN	O	99		Goods identity number	
To give specific identification numbers, either as single numbers or ranges.						
Business Term	DE	EDIFACT	Format	St	*	Description
	7405	Object identification code qualifier	an..3	M	*	BJ Serial shipping container code
	C208	Identity number range		M		
Serial Shipping Container Code (SSCC)	7402	Object identifier	an..35	M		
<p>Segmentstatus: Optional This segment is used to provide the Serial Shipping Container Code marked on the packaging of the current goods item.</p> <p>Example: GIN+BJ+354123450000000014' The SSCC is 340123450000000014</p>						

Max. Occ. = Maximum Occurrence, St = Status, * = Restricted Codes
 Status: M=Mandatory, R=Required, O=Optional, D=Dependent, A=Advised, N=Not used

Segment Layout

No.	Seg	St	Max.	Occ.			
42	SG10	R	9999		LIN-PIA-QTY-GIN-DTM-FTX-MOA		
	DTM	O	1		Date/time/period To specify date, and/or time, or period.		
Business Term		DE	EDIFACT	Format	St	*	Description
		C507	Date/time/period		M		
		2005	Date or time or period function code qualifier	an..3	M	*	361 Best before date
Best before date		2380	Date or time or period value	an..35	R		
		2379	Date or time or period format code	an..3	R		102 CCYYMMDD 203 CCYYMMDDHHMM
<p>Segmentstatus: Optional This segment can be used to provide the best before date.</p> <p>Example: DTM+361:20160612:102' The best before date is 12th of June 2016.</p>							

Max. Occ. = Maximum Occurrence, St = Status, * = Restricted Codes
Status: M=Mandatory, R=Required, O=Optional, D=Dependent, A=Advised, N=Not used

Segment Layout

No.	Seg	St	Max. Occ.				
43	SG10	R	9999	LIN-PIA-QTY-GIN-DTM-FTX-MOA			
	DTM	O	1	Date/time/period To specify date, and/or time, or period.			
Business Term		DE	EDIFACT	Format	St	*	Description
		C507	Date/time/period		M		
		2005	Date or time or period function code qualifier	an..3	M	*	418 Minimum shelf life remaining at time of receipt
Remaining time from the time of receipt		2380	Date or time or period value	an..35	R		
		2379	Date or time or period format code	an..3	R		802 Month 803 Week 804 Day 801 Year
<p>Segmentstatus: Optional This segment is used to specify the minimum remaining time. Example: DTM+418:8:803' The minimum remaining time is eight weeks.</p>							

Max. Occ. = Maximum Occurrence, St = Status, * = Restricted Codes
Status: M=Mandatory, R=Required, O=Optional, D=Dependent, A=Advised, N=Not used

Segment Layout

No.	Seg	St	Max.	Occ.			
44	SG10	R	9999		LIN-PIA-QTY-GIN-DTM-FTX-MOA		
	DTM	O	1		Date/time/period To specify date, and/or time, or period.		
Business Term		DE	EDIFACT	Format	St	*	Description
		C507	Date/time/period		M		
		2005	Date or time or period function code qualifier	an..3	M	*	363 Total shelf life period
Total remaining time from production		2380	Date or time or period value	an..35	R		
		2379	Date or time or period format code	an..3	R		802 Month 803 Week 804 Day 801 Year
<p>Segmentstatus: Optional This segment is used to specify the total remaining time.</p> <p>Example: DTM+363:8:803' The total remaining time is eight weeks.</p>							

Max. Occ. = Maximum Occurrence, St = Status, * = Restricted Codes
Status: M=Mandatory, R=Required, O=Optional, D=Dependent, A=Advised, N=Not used

Segment Layout

No. Seg	St	Max. Occ.				
45	SG10	R 9999	LIN-PIA-QTY-GIN-DTM-FTX-MOA			
	FTX	O 9	Free text			
To provide free form or coded text information.						
Business Term	DE	EDIFACT	Format	St	*	Description
	4451	Text subject code qualifier	an..3	M	*	DSI Information to be printed on despatch advice (GS1 Temporary Code)
	4453	Free text function code	an..3	O	*	1 Text for subsequent use
	C107	Text reference		D		
	4441	Free text value code	an..17	M		Agreed text key
	C108	Text literal		D		
Delivery note text 1	4440	Free text value	an..512	M		
Delivery note text 2	4440	Free text value	an..512	O		
Delivery note text 3	4440	Free text value	an..512	O		
Delivery note text 4	4440	Free text value	an..512	O		
Delivery note text 5	4440	Free text value	an..512	O		
	3453	Language name code	an..3	D		DE German ISO 639 2-Alpha Code
<p>Segmentstatus: Optional</p> <p>This segment is used to provide free form or coded text information related to specific information on a delivery note.</p> <p>Use of this segment in free form is not recommended since it may inhibit automatic processing of the Transport Instruction. Coded references to standard texts is an available functionality which enables automatic processing and reduces transmission overheads. Standard texts should be mutually defined between trading partners and can be used to cover legal or other requirements.</p> <p>Note:</p> <p>DEG C107: This composite is only used when trading partners have agreed to use mutually defined code values.</p> <p>DEG C108: This composite is only used if coded text can not be used. DE 4440 must be used if DEG C108 are used.</p> <p>DE 3453: ISO 639 two alpha code - This data element is only used when non coded free text has been provided in data element C108.</p> <p>Example: FTX+DSI+1++Lieferpapiertext1:Lieferpapiertext2:Lieferpapiertext3:Lieferpapiertext4:Lieferpapiertext5+DE' Specification on a delivery note.</p>						

Max. Occ. = Maximum Occurrence, St = Status, * = Restricted Codes
 Status: M=Mandatory, R=Required, O=Optional, D=Dependent, A=Advised, N=Not used

Segment Layout

No. Seg	St	Max. Occ.				
46	SG10	R 9999	LIN-PIA-QTY-GIN-DTM-FTX-MOA			
	FTX	O 9	Free text			
To provide free form or coded text information.						
Business Term	DE	EDIFACT	Format	St	*	Description
	4451	Text subject code qualifier	an..3	M	*	DEL Delivery information
	4453	Free text function code	an..3	O	*	1 Text for subsequent use
	C107	Text reference		D		
	4441	Free text value code	an..17	M		Agreed text key
	C108	Text literal		D		
Delivery information 1	4440	Free text value	an..512	M		
Delivery information 2	4440	Free text value	an..512	O		
Delivery information 3	4440	Free text value	an..512	O		
Delivery information 4	4440	Free text value	an..512	O		
Delivery information 5	4440	Free text value	an..512	O		
	3453	Language name code	an..3	D		DE German ISO 639 2-Alpha Code

Segmentstatus: Optional
 This segment is used to provide free form or coded text information related to specific information such as delivery notes.
 Use of this segment in free form is not recommended since it may inhibit automatic processing of the Transport Instruction. Coded references to standard texts is an available functionality which enables automatic processing and reduces transmission overheads. Standard texts should be mutually defined between trading partners and can be used to cover legal or other requirements.
 Note:
 DEG C107: This composite is only used when trading partners have agreed to use mutually defined code values.
 DEG C108: This composite is only used if coded text can not be used. DE 4440 must be used if DEG C108 are used.
 DE 3453: ISO 639 two alpha code - This data element is only used when non coded free text has been provided in data element C108.

Example: FTX+DEL+1++Lieferinformation1:Lieferinformation2:Lieferinformation3:Lieferinformation4:Lieferinformation5+DE'
 Specification of delivery information.

Max. Occ. = Maximum Occurrence, St = Status, * = Restricted Codes
 Status: M=Mandatory, R=Required, O=Optional, D=Dependent, A=Advised, N=Not used

Segment Layout

No.	Seg	St	Max.	Occ.			
47	SG10 MOA	R	9999		LIN-PIA-QTY-GIN-DTM-FTX-MOA		
		O	1		Monetary amount To specify a monetary amount.		
Business Term	DE	EDIFACT	Format	St	*	Description	
	C516	Monetary amount		M			
	5025	Monetary amount type code qualifier	an..3	M	*	22 Cash on delivery amount	
Cash on delivery amount	5004	Monetary amount	n..35	R			
	6345	Currency identification code	an..3	O		EUR Euro	
<p>Segmentstatus: Optional This segment is used to specify the Cash on delivery amount. Example: MOA+22:12000:EUR' The Cash on delivery amount is 12000 euros.</p>							

Max. Occ. = Maximum Occurrence, St = Status, * = Restricted Codes
 Status: M=Mandatory, R=Required, O=Optional, D=Dependent, A=Advised, N=Not used

Segment Layout

No.	Seg	St	Max.	Occ.		
48	UNS	M	1		Section control	
To separate header, detail and summary sections of a message.						
Notes:						
1. To be used by message designers when required to avoid ambiguities. Mandatory only if specified for the type of message concerned.						
Business Term	DE	EDIFACT	Format	St	*	Description
Detail and Summary section separation	0081	Section identification	a1	M	*	S Detail/summary section separation
Segmentstatus: Mandatory						
This segment is used to identify the break between the message detail and message trailer sections.						
Example: UNS+S'						
Separation of detail- and summary section						

Max. Occ. = Maximum Occurrence, St = Status, * = Restricted Codes
 Status: M=Mandatory, R=Required, O=Optional, D=Dependent, A=Advised, N=Not used

Segment Layout

No. Seg	St	Max. Occ.				
49	UNT	M 1	Message trailer To end and check the completeness of a message.			
Business Term	DE	EDIFACT	Format	St	*	Description
Total number of segments	0074	Number of segments in the message	n..6	M		
	0062	Message reference number	an..14	M		The reference number from the UNH segment must be repeated here.
<p>Segmentstatus: Mandatory This UNT segment is a mandatory UN/EDIFACT segment. It must always be the last segment in the message.</p> <p>Example: UNT+47+ME000001' The message contains 47 segments.</p>						

Max. Occ. = Maximum Occurrence, St = Status, * = Restricted Codes
 Status: M=Mandatory, R=Required, O=Optional, D=Dependent, A=Advised, N=Not used

Segment Layout

No.	Seg	St	Max.	Occ.		
50	UNZ	M	1		Interchange trailer To end and check the completeness of an interchange.	
Business Term	DE	EDIFACT	Format	St	*	Description
End of the transmission file Number of messages or message groups	0036	Interchange control count	n..6	M		Number of messages or message groups in the transmission file.
Interchange control reference, end	0020	Interchange control reference	an..14	M		Interchange control reference, identical with UNB DE 0020.
<p>Segmentstatus: Mandatory The UNZ segment is the last segment of the transmission file. Note DE 0036: If functional groups are not used, this is the number of messages within the interchange.</p> <p>Example: UNZ+1+4711' The transmission file contains 1 message.</p>						

Max. Occ. = Maximum Occurrence, St = Status, * = Restricted Codes
 Status: M=Mandatory, R=Required, O=Optional, D=Dependent, A=Advised, N=Not used

Used Codes

0001	Syntax identifier Coded identification of the agency controlling a syntax and syntax level used in an interchange. Notes: 1. a3, upper case, Controlling Agency (e.g. UNO=UN/ECE) and a1 stating level (e.g. A) (which together give UNOA).
UNOA	UN/ECE level A As defined in the basic code table of ISO 646 with the exceptions of lower case letters, alternative graphic character allocations and national or application-oriented graphic character allocations.
UNOB	UN/ECE level B As defined in the basic code table of ISO 646 with the exceptions of alternative graphic character allocations and national or application-oriented graphic character allocations.
UNOC	UN/ECE level C As defined in ISO 8859-1 : Information processing - Part 1: Latin alphabet No. 1.
UNOD	UN/ECE level D As defined in ISO 8859-2 : Information processing - Part 2: Latin alphabet No. 2.
UNOE	UN/ECE level E As defined in ISO 8859-5 : Information processing - Part 5: Latin/Cyrillic alphabet.
UNOF	UN/ECE level F As defined in ISO 8859-7 : Information processing - Part 7: Latin/Greek alphabet.
UNOG	UN/ECE level G As defined in ISO 8859-3 : Information processing - Part 3: Latin alphabet.
UNOH	UN/ECE level H As defined in ISO 8859-4 : Information processing - Part 4: Latin alphabet.
UNOI	UN/ECE level I As defined in ISO 8859-6 : Information processing - Part 6: Latin/Arabic alphabet.
UNOJ	UN/ECE level J As defined in ISO 8859-8 : Information processing - Part 8: Latin/Hebrew alphabet.
UNOK	UN/ECE level K As defined in ISO 8859-9 : Information processing - Part 9: Latin alphabet.

Used Codes

UNOW	UN/ECE level W ISO 10646-1 octet with code extension technique to support UTF-8 (UCS Transformation Format, 8 bit) encoding.
UNOX	UN/ECE level X Code extension technique as defined by ISO 2022 utilising the escape techniques in accordance with ISO 2375.
UNOY	UN/ECE level Y ISO 10646-1 octet without code extension technique.
0002	Syntax version number Version number of the syntax identified in the syntax identifier (0001) Notes: 1. Increments 1 for each version.
3	Version 3 ISO 9735 Amendment 1:1992. GS1 Description: Syntax version number 3. This code can be used with all of the character sets (A, B, C, D, E and F).
0007	Partner identification code qualifier Qualifier referring to the source of codes for the identifiers of interchanging partners. Notes: 1. Used with sender/recipient identification code.
14	GS1 Partner identification code assigned by GS1, an international organization of GS1 Member Organizations that manages the GS1 System.
0025	Recipient's reference/password qualifier Qualifier for the recipient's reference or password. Notes: 1. If specified in IA.
AA	Reference Recipient's reference/password is a reference.
BB	Password Recipient's reference/password is a password.

Used Codes

0029	<p>Processing priority code</p> <p>Code determined by the sender requesting processing priority for the interchange.</p> <p>Notes:</p> <p>1. Used if specified in IA.</p>
A	<p>Highest priority</p> <p>Requested processing priority is the highest.</p>
0031	<p>Acknowledgement request</p> <p>Code determined by the sender for acknowledgement of the interchange.</p> <p>Notes:</p> <p>1. Set = 1 if sender requests acknowledgement, i.e. UNB and UNZ segments received and identified.</p>
1	<p>Requested</p> <p>Acknowledgement is requested.</p>
0035	<p>Test indicator</p> <p>Indication that the interchange is a test.</p> <p>Notes:</p> <p>1. Set = 1 if the interchange is a test. Otherwise not used.</p>
1	<p>Interchange is a test</p> <p>Indicates that the interchange is a test.</p>
0051	<p>Controlling agency</p> <p>Code to identify the agency controlling the specification, maintenance and publication of the message type.</p>
UN	<p>UN/CEFACT</p> <p>United Nations Centre for Trade Facilitation and Electronic Business (UN/CEFACT).</p> <p>GS1 Description:</p> <p>UN Economic Commission for Europe (UN/ECE), Committee on the development of trade (TRADE), Working Party on facilitation of international trade procedures (WP.4).</p>
0052	<p>Message version number</p> <p>Version number of a message type.</p> <p>Notes:</p> <p>1. If UNG/UNE is used, shall be identical in UNG and UNE.</p> <p>The representation of 0052 was specified as n..3 in version 1 of ISO 9735.</p>

Used Codes

D	Draft version/UN/EDIFACT Directory Message approved and issued as a draft message (Valid for directories published after March 1993 and prior to March 1997). Message approved as a standard message (Valid for directories published after March 1997).
0054	Message release number Release number within the current message type version number (0052). Notes: 1. The representation of 0054 was specified as n..3 in version 1 of ISO 9735.
01B	Release 2001 - B Message approved and issued in the second 2001 release of the UNTDID (United Nations Trade Data Interchange Directory).
0057	Association assigned code A code assigned by the association responsible for the design and maintenance of the message type concerned, which further identifies the message.
EAN003	GS1 version control number (GS1 Permanent Code)
0065	Message type Code identifying a type of message and assigned by its controlling agency. Notes: 1. Type of message being transmitted.
INSDDES	Instruction to despatch message A code to identify the instruction to despatch message. GS1 Description: A message instructing a third party to despatch a delivery.
0081	Section identification Separates sections in a message.
S	Detail/summary section separation To qualify the segment UNS, when separating the detail from the summary section of a message.
1001	Document name code Code specifying the document name.
240	Delivery instructions Document/message issued by a buyer giving instructions regarding the details of the delivery of goods ordered. GS1 Description: A message from a party to another party who has control over ordered goods, providing instructions to despatch a consignment according to conditions specified in the message.

Used Codes

1131	Code list identification code Code identifying a user or association maintained code list.
	Notes: 1. The codes for this data element are provided by the code list responsible agency defined in data element 3055.
23	Clearing house automated payment Self explanatory.
	Notes: This code value will be removed effective with directory D.04A. GS1 Description: Banking community' automated payment clearing system.
25	Bank identification Code for identification of banks.
	Notes: This code value will be removed effective with directory D.04A.
106	Incoterms 1980 (4110) Code to indicate applicable Incoterm (1980 edition) under which seller undertakes to deliver merchandise to buyer (ICC). Incoterms 1990: use 4053 only.
	Notes: This code value will be removed effective with directory D.04A.
132	Charge Identification of a type of charge.
	Notes: This code value will be removed effective with directory D.04A.
154	Bank branch sorting identification Identification of a specific branch of a bank.
	Notes: This code value will be removed effective with directory D.04A.
157	Clearing code Identification of the responsible bank/clearing house which has cleared or is ordered to do the clearing.
	Notes: This code value will be removed effective with directory D.04A.
166	Social security identification Code assigned by the authority competent to issue social security identification to identify a person.
	Notes: This code value will be removed effective with directory D.04A.

Used Codes

174	Citizen identification Self explanatory.
	Notes: This code value will be removed effective with directory D.04A. GS1 Description: Code issued by national authority competent to issue citizen identification to identify a person.
1E	Incoterms 1990 (GS1 Temporary Code) Incoterms 1990 as published by the International Chamber of Commerce (ICC).
2E	Incoterms 2000 (GS1 Temporary Code) Incoterms 2000 as published by the International Chamber of Commerce (ICC).
3E	Incoterms 2010 (GS1 Temporary Code) Incoterms 2010 as published by the International Chamber of Commerce (ICC).
ADR	Accord Europeen au transport international dangereuses (GS1 Temporary Code) A European agreement concerning the international carriage of dangerous goods by road.
BR	Brand (GS1 Temporary Code) An identifying mark or label on the products of a particular company, or the kind or make of a commodity.
CA	Category (GS1 Temporary Code) A class or division in a scheme of classification.
CO	Colour (GS1 Temporary Code) Description of the colour required/available on the goods.
FL	Flavor (GS1 Temporary Code) The characteristic quality of goods.
HMT	Hazardous material standard text (GS1 Temporary Code) Code indicating agreed standard text on hazardous materials.
LOC	Location Code (GS1 Temporary Code) This is a code to indicate where the EAS tag is located on the Trade Item. Values include On outside of Trade Item, Concealed inside Trade Item, Integrated Inside Trade Item.
OAG	Organic Claim Agency (GS1 Temporary Code) A governing body that creates and maintain standards related to organic products.
OCO	Organic Trade Item Code (GS1 Temporary Code) Used to indicate the organic status of a trade item or of one or more of its components.

Used Codes

OUM	Ordering unit of measure (GS1 Temporary Code) The alternate Unit of Measure of how Trade Items are ordered by the Retailer under one Unit of Measure, but sold under another Unit of Measure.
SRN	Service relation number (GS1 Temporary Code) A number used to identify a database entry which records recurring services, e.g., treatment of a patient in a hospital, usage by a member of a library facilities, etc.
ST	Style (GS1 Temporary Code) Specific or characteristic design in any goods.
SUM	Selling unit of measure (GS1 Temporary Code) Describes the measurement used for selling unit of the Trade Item to the end consumer.
SZ	Size (GS1 Temporary Code) Any of a series of graded classifications of measure into which goods are divided.
SZG	Size Group (GS1 Temporary Code) A description of the variable size that is necessary to uniquely specify the size of the item in conjunction with the nonpackaged size dimension.
TYP	Type Code (GS1 Temporary Code) This is a code to indicate the type of EAS tag located on the Trade Item. Values include Acousto-Magnetic, Electro-Magnetic, Ink or dye, Microwave, Radio Frequency.
X11	Diet Allergen (GS1 Temporary Code) Indication of which dietary or allergen marks that are on the package.
X12	Environment (GS1 Temporary Code) Indication of which environmental marks (e.g. recycling schemes) that are on trade item package.
X13	Ethical (GS1 Temporary Code) Indication of which ethical trading marks that are on the package.
X14	Free Form (GS1 Temporary Code) Indication of which free-from marks that are on the package.
X15	Expiration date (GS1 Temporary Code) Indicates the type of expiration date marked on the packaging.
X16	Nesting Direction (GS1 Temporary Code) Depicts the arrangement of two items that nest together specifically whether they nest against each other or on top of each other.
X17	Package Marks Hygienic (GS1 Temporary Code) Indication of which hygiene markings are present in the product package

Used Codes

X18	<p>Hazardous Components are Removable (GS1 Temporary Code)</p> <p>An indicator if any hazardous components contained within the trade item can easily be separated from the other materials to facilitate product recycling.</p>
X19	<p>Trade Item Has Refuse Obligations (GS1 Temporary Code)</p> <p>Indicates if there are special disposal obligations that apply to the trade item for example INTRASTAT.</p>
X20	<p>Trade Item Is Designed for Easy Disassembly (GS1 Temporary Code)</p> <p>Indicates that the trade item is designed for easy disassembly by recycling facilities using standard industry tools.</p>
X21	<p>Trade Item Is Rigid Plastic Packaging Container (GS1 Temporary Code)</p> <p>Indicates that a product is or is contained in a Rigid Plastic Packaging Container (RPPC) as defined by laws in the target market.</p>
X22	<p>Trade Item Is ROHS Compliant (GS1 Temporary Code)</p> <p>Indicates if the product is compliant with the European Union RoHS Directive.</p>
X23	<p>Trade Item Is Universal Waste (GS1 Temporary Code)</p> <p>Indicates if a product can be considered universal waste.</p>
X24	<p>Trade Item Is Consumer Upgradeable Or Maintainable (GS1 Temporary Code)</p> <p>Indicates if a product can be easily upgraded or have parts replaced by the consumer.</p>
X25	<p>Trade Item Contains Short Chain Chlorinated Paraffins (GS1 Temporary Code)</p> <p>Indicate if the trade item and/or its components contain paints, coatings, plastics or other materials containing short chain chlorinated paraffins (SCCPs).</p>
X26	<p>Trade Item Contains Pesticide (GS1 Temporary Code)</p> <p>Indicates if the trade item is advertised or labelled as a chemical or contains a chemical that is advertised or labelled to kill, repel or prevent the growth of any living organism.</p>
X27	<p>Trade Item Contains Propellant (GS1 Temporary Code)</p> <p>Indicates if a trade item contains a compressed gas or propellant.</p>
X28	<p>Trade Item Contains Polyvinyl Chloride (GS1 Temporary Code)</p> <p>Indicate if product contains Polyvinyl Chloride (PVC), a widely used thermoplastic polymer.</p>
X29	<p>Trade Item Chemical Is Not Intended For Human Consumption (GS1 Temporary Code)</p> <p>Indicates that the trade item is or contains a Liquid, Gel, Paste, Powder, or Flammable solid not intended for human consumption (ingested).</p>
X30	<p>ROHS Compliance Failure Material (GS1 Temporary Code)</p> <p>The material used in the trade item that does not comply with the ROHS Directives</p>

Used Codes

X31	<p>Packaging Terms And Condition (GS1 Temporary Code)</p> <p>Indicates if the packaging given in the described packaging configuration is a rented, exchangeable, against deposit or one way/not reusable.</p>
X32	<p>Warranty Effective Date Type (GS1 Temporary Code)</p> <p>The type of date associated with the warranty trade item usually expressed as an event date for the item for example date of purchase, date of manufacture or date of delivery.</p>
X33	<p>Warranty Type (GS1 Temporary Code)</p>
X35	<p>Warranty Constraint (GS1 Temporary Code)</p>
X36	<p>Seasonal Availability End Date (GS1 Temporary Code)</p> <p>Indicates the end date of the trade item's seasonal availability.</p>
X37	<p>Seasonal Availability Start Date (GS1 Temporary Code)</p> <p>Indicates the start date of the trade item's seasonal availability.</p>
X38	<p>Season Calendar Year (GS1 Temporary Code)</p> <p>This element indicates the calendar year in which the trade item is seasonally available.</p>
X39	<p>Season Parameter (GS1 Temporary Code)</p> <p>Indication of the season, in which the trade item is available.</p>
X40	<p>Trade Item Automatic Power Down is Enabled (GS1 Temporary Code)</p> <p>An indicator whether a product is enabled with auto power down feature when shipped to the customer.</p>
X41	<p>Electrical Usage Agency Code (GS1 Temporary Code)</p> <p>The agency that regulates electrical usage for products within a target market.</p>
X42	<p>Nesting Type (GS1 Temporary Code)</p> <p>Depicts whether a nested item fits inside or over the other item in a nesting relationship.</p>
X43	<p>Display Dimension Type Code (GS1 Temporary Code)</p> <p>Depicts certain display scenarios used for measurement.</p>
X44	<p>Manufacturer Has Take Back Program (GS1 Temporary Code)</p> <p>Indicates if the manufacturer of the trade item offers any take back programs to consumers for the product to be reused, remanufactured or recycled by the manufacturer.</p>
X45	<p>Display Resolution (GS1 Temporary Code)</p> <p>The display resolution of a television or computer display.</p>
X46	<p>Orientation Preference Sequence (GS1 Temporary Code)</p> <p>Depicts the preferred sequence of orientation used to communicate the manufacturers relative preferences of orientation.</p>
X47	<p>Orientation Type (GS1 Temporary Code)</p> <p>Depicts via code a display orientation for a trade item.</p>

Used Codes

X48	Electrical Usage Trade Item Classification Code (GS1 Temporary Code) A classification code value from a product classification scheme provided to drive required information for electrical usage.
X49	Electrical Usage Trade Item Classification Name (GS1 Temporary Code) A classification name from a product classification scheme provided to drive required information for electrical usage.
X50	Electrical Usage SubClassification Code (GS1 Temporary Code) A sub-classification code value from a product classification scheme provided to drive required information for electrical usage.
X51	Electrical Usage SubClassification Name (GS1 Temporary Code) A sub-classification name provided to drive required information for electrical usage.
X52	Confirmation Status Code (GS1 Temporary Code) The CIC Confirmation Code must be of a type of code number that can be generated automatically by a computer system.
X53	Confirmation Status Code Description (GS1 Temporary Code) Provides the code description that matches up with the Code that can possibly be generated automatically by a computer system.
X54	Additional Confirmation Status Description (GS1 Temporary Code) Provides a way to communicate human entered information that may not be covered by the machine to machine codes and descriptions.
X55	Corrective Action (GS1 Temporary Code) Provides the corrective action code to fix the issue that caused the problem.
X56	Expected Corrective Information (GS1 Temporary Code) Provides the expected corrective information via a human entered information that may not be covered by the machine to machine codes.
X57	Electrical Usage Trade Item Classification Agency (GS1 Temporary Code) A classification agency or organisation whose product classification scheme is being provided to drive required information for electrical usage.
X58	ASFIS (GS1 Permanent Code) FAO alph-3 code list for fish species identification, commercial name & scientific name.
X59	FAO fishing areas (GS1 Permanent Code) FAO fishing areas codelist.
X60	FAO Fishing gear type (GS1 Permanent Code) FAO Fishing gear type codelist.
X61	EU fish quality (GS1 Permanent Code) EU fish quality grade code list (E, A, B, C).
X62	EU fish size (GS1 Permanent Code) EU fish standardized size code list (1, 2, 3, 4, 5 & One_Size).

Used Codes

X63	EU fish presentation (GS1 Permanent Code) EU fish presentation code list (3 or 5 char alpha code).
ZZZ	Mutually defined Self explanatory. Notes: This code value will be removed effective with directory D.04A.
1153	Reference code qualifier Code qualifying a reference.
GN	Government reference number A number that identifies a government reference. GS1 Description: This code value should not be used to provide the tax identification number for a party (use code VA).
ON	Order number (buyer) [1022] Reference number assigned by the buyer to an order.
VN	Order number (supplier) Reference number assigned by supplier to a buyer's purchase order.
YC1	Additional party identification (GS1 Temporary Code) Reference number to an additional party identification. This number may be the internal trading partner identification number used by a party to identify its trading parties.
1225	Message function code Code indicating the function of the message.
1	Cancellation Message cancelling a previous transmission for a given transaction.
2	Addition Message containing items to be added. GS1 Description: Message containing items (e.g. line items, goods items, customs items, equipment items) to be added to a previously sent message or existing data base.
3	Deletion Message containing items to be deleted. GS1 Description: Message containing items (e.g. line items, goods items, customs items, equipment items) to be deleted in a previously sent message or an existing data base.

Used Codes

4	Change Message containing items to be changed. GS1 Description: Message containing items (e.g. line items, goods items, customs items, equipment items) to be changed in a previously sent message or an existing data base.
5	Replace Message replacing a previous message.
6	Confirmation Message confirming the details of a previous transmission where such confirmation is required or recommended under the terms of a trading partner agreement.
7	Duplicate The message is a duplicate of a previously generated message.
9	Original Initial transmission related to a given transaction.
11	Response Message responding to a previous message or document.
12	Not processed Message indicating that the referenced message was received but not yet processed.
13	Request Code indicating that the referenced message is a request.
15	Reminder Repeated message transmission for reminding purposes.
16	Proposal Message content is a proposal.
17	Cancel, to be reissued Referenced transaction cancelled, reissued message will follow.
23	Transaction on hold Message not to be processed until further release information.
27	Not accepted Message to inform that the referenced message is not accepted by the recipient.
29	Accepted without amendment Referenced message is entirely accepted.
31	Copy Indicates that the message is a copy of an original message that has been sent, e.g. for action or information.

Used Codes

34	Accepted with amendment The referenced message is accepted but amended.
35	Retransmission Change-free transmission of a message previously sent.
42	Confirmation via specific means Message confirming a transaction previously agreed via other means (e.g. phone).
43	Additional transmission Message already transmitted via another communication channel. This transmission is to provide electronically processable data only.
45	Accepted with reserves Message accepted with reserves.
46	Provisional Message content is provisional.
47	Definitive Message content is definitive.
55	Notification only The receiver may use the notification information for analysis only.
60	No action since last message Code indicating the fact that no action has taken place since the last message.
2005	Date or time or period function code qualifier Code qualifying the function of a date, time or period.
2	Delivery date/time, requested Date on which buyer requests goods to be delivered.
10	Shipment date/time, requested Date on which goods should be shipped or despatched by the supplier.
137	Document/message date/time (2006) Date/time when a document/message is issued. This may include authentication.
361	Best before date The best before date.
363	Total shelf life period A period indicating the total shelf life of a product.
418	Minimum shelf life remaining at time of receipt The minimum shelf life remaining at the time of receipt.

Used Codes

2379	Date or time or period format code Code specifying the representation of a date, time or period.
2	DDMMYY Calendar date: D = Day; M = Month; Y = Year.
101	YYMMDD Calendar date: Y = Year; M = Month; D = Day.
102	CCYYMMDD Calendar date: C = Century ; Y = Year ; M = Month ; D = Day.
104	MMWW-MMWW A period of time specified by giving the start week of a month followed by the end week of a month. Data is to be transmitted as consecutive characters without hyphen.
107	DDD Day's number within a specific year: D = Day.
108	WW Week's number within a specific year: W = Week.
109	MM Month's number within a specific year: M = Month.
110	DD Day's number within is a specific month.
201	YYMMDDHHMM Calendar date including time without seconds: Y = Year; M = Month; D = Day; H = Hour; M = Minute.
203	CCYYMMDDHHMM Calendar date including time with minutes: C=Century; Y=Year; M=Month; D=Day; H=Hour; M=Minutes.
204	CCYYMMDDHHMMSS Calendar date including time with seconds: C=Century;Y=Year; M=Month; D=Day;H=Hour;M=Minute;S=Second.
401	HHMM Time without seconds: H = Hour; m = Minute.
501	HHMMHHMM Time span without seconds: H = Hour; m = Minute;.
502	HHMMSS-HHMMSS Format of period to be given without hyphen.
602	CCYY Calendar year including century: C = Century; Y = Year.

Used Codes

609	YYMM Month within a calendar year: Y = Year; M = Month.
610	CCYYMM Month within a calendar year: CC = Century; Y = Year; M = Month.
615	YYWW Week within a calendar year: Y = Year; W = Week 1st week of January = week 01.
616	CCYYWW Week within a calendar year: CC = Century; Y = Year; W = Week (1st week of January = week 01).
713	YYMMDDHHMM-YYMMDDHHMM Format of period to be given in actual message without hyphen.
715	YYWW-YYWW A period of time specified by giving the start week of a year followed by the end week of year (both not including century). Data is to be transmitted as consecutive characters without hyphen.
717	YYMMDD-YYMMDD Format of period to be given in actual message without hyphen.
718	CCYYMMDD-CCYYMMDD Format of period to be given without hyphen.
719	CCYYMMDDHHMM-CCYYMMDDHHMM A period of time which includes the century, year, month, day, hour and minute. Format of period to be given in actual message without hyphen.
720	DHHMM-DHHMM Format of period to be given without hyphen (D=day of the week, 1=Monday; 2=Tuesday; ... 7=Sunday).
801	Year To indicate a quantity of years.
802	Month To indicate a quantity of months.
803	Week To indicate a quantity of weeks.
804	Day To indicate a quantity of days.
805	Hour To indicate a quantity of hours.
806	Minute To indicate a quantity of minutes.

Used Codes

810	Trimester To indicate a quantity of trimesters (three months).
811	Half month To indicate a quantity of half months.
21E	DDHHMM-DDHHMM (GS1 Temporary Code) Format of period to be given in actual message without hyphen.
3035	Party function code qualifier Code giving specific meaning to a party.
BY	Buyer Party to whom merchandise and/or service is sold.
CA	Carrier (3126) Party undertaking or arranging transport of goods between named points.
DP	Delivery party (3144) Party to which goods should be delivered, if not identical with consignee. GS1 Description: Party to which goods should be delivered, if not the same as the buyer.
LSP	Logistic Service Provider (GS1 Temporary Code) A party providing logistic services for another party (e.g re-packing suppliers products) on products which may lead to added value for the product.
PW	Despatch party (3282) Party where goods are collected or taken over by the carrier (i.e. if other than consignor).
SU	Supplier Party who supplies goods and/or services. GS1 Description: Party which provides service(s) and/or manufactures or otherwise has possession of goods, and consigns or makes them available in trade.
UC	Ultimate consignee Party who has been designated on the invoice or packing list as the final recipient of the stated merchandise.
3055	Code list responsible agency code Code specifying the agency responsible for a code list.
2	CEC (Commission of the European Communities) Generic: see also 140, 141, 142, 162. GS1 Description: Commission of the European Communities

Used Codes

3	IATA (International Air Transport Association) The airline industry's international organisation. GS1 Description: International Air Transport Association
5	ISO (International Organization for Standardization) International Organization of Standardization.
6	UN/ECE (United Nations - Economic Commission for Europe) United Nations Economic Commission for Europe.
7	CEFIC (Conseil Europeen des Federations de l'Industrie Chimique) EDI project for chemical industry.
8	EDIFICE Standardised electronic commerce forum for companies with interests in computing, electronics and telecommunications. GS1 Description: EDI Forum for companies with Interest in Computing and Electronics (EDI project for EDP/ADP sector).
9	GS1 GS1 (formerly EAN International), an organisation of GS1 Member Organisations, which manages the GS1 System. GS1 Description: GS1 International.
10	ODETTE Organization for Data Exchange through Tele-Transmission in Europe (European automotive industry project).
17	S.W.I.F.T. Society for Worldwide Interbank Financial Telecommunications s.c.
28	EDITEUR (European book sector electronic data interchange group) Code identifying the pan European user group for the book industry as an organisation responsible for code values in the book industry.
60	Assigned by national trade agency The code list is from a national agency.
65	GS1 France Organisation responsible for GS1 System in France.
68	GS1 Italy Organisation responsible for GS1 System in Italy.
83	US, National Retail Federation The National Retail Federation is the trade association for the general merchandise retailing industry. In addition to providing support and education services, they also maintain and publish standard colour and size codes for the retail industry.

Used Codes

84	DE, BRD (Gesetzgeber der Bundesrepublik Deutschland) German legislature.
86	Assigned by party originating the message Codes assigned by the party originating the message.
87	Assigned by carrier Codes assigned by the carrier.
88	Assigned by owner of operation Assigned by owner of operation (e.g. used in construction).
89	Assigned by distributor Codes assigned by a distributor.
90	Assigned by manufacturer Code assigned by the manufacturer.
91	Assigned by supplier or supplier's agent Codes assigned by a seller or seller's agent. GS1 Description: Code assigned by the supplier or supplier's agent.
92	Assigned by buyer or buyer's agent Codes assigned by a buyer or buyer's agent.
112	US, U.S. Census Bureau The Bureau of the Census of the U.S. Dept. of Commerce.
113	GS1 US Organisation responsible for GS1 System in the USA.
116	US, ANSI ASC X12 American National Standards Institute ASC X12.
131	DE, German Bankers Association German Bankers' Association.
136	GS1 UK Organisation responsible for GS1 System in the UK.
137	AT, Verband oesterreichischer Banken und Bankiers Austrian bankers association.
174	DE, DIN (Deutsches Institut fuer Normung) German standardization institute.
182	US, Standard Carrier Alpha Code (Motor) Organisation maintaining the SCAC lists and transportation operating in North America.
194	AU, AQIS (Australian Quarantine and Inspection Service) Australian Quarantine and Inspection Service.

Used Codes

200	GS1 Netherlands Organisation responsible for GS1 System in the Netherlands.
245	GS1 Denmark Organisation responsible for GS1 System in Denmark.
246	GS1 Germany Organisation responsible for GS1 System in Germany. GS1 Description: German representative of International Article Numbering association (GS1).
260	Ediel Nordic forum A code to identify Ediel Nordic forum, which is an organization standardizing the use of EDI between the participants in the Nordic power market.
281	GS1 Belgium & Luxembourg Organisation responsible for GS1 System in Belgium & Luxembourg.
286	SE, TCO (Tjänstemännen Central Organisation) The Swedish Confederation of Professional Employees.
294	GS1 Austria Organisation responsible for the GS1 System in Austria.
295	AU, Therapeutic Goods Administration Austrialian administration responsible for the regulation of therapeutic goods in Australia. EDIFACT
297	IT, Ufficio IVA Ufficio responsabile gestione partite IVA, Italy (Italian Institute issuing VAT registration numbers). EDIFACT
298	GS1 Spain Organisation responsible for the GS1 System in Spain.
316	GS1 Finland Organisation responsible for the GS1 system in Finland.
317	GS1 Brazil Organisation responsible for the GS1 system in Brazil.
324	GS1 Ireland Organisation responsible for the GS1 system in Ireland.
325	GS1 Russia Organisation responsible for the GS1 system in Russia.
326	GS1 Poland Organisation responsible for the GS1 system in Poland.
327	GS1 Estonia Organisation responsible for the GS1 system in Estonia.

Used Codes

376	PANTONE Color code controlling organisation
400	FAO (Food and Agriculture Organisation) Food and Agriculture Organisation of the United Nations.
CEN	Comite European de Normalisation (GS1 Temporary Code) Comite European de Normalisation.
PMS	Pantone Matching System (GS1 Temporary Code) Pantone Matching System.
RAL	DE, Deutsches Institut fuer Guetesicherung und Kennzeichnung (GS1 Temporary Code)
TGA	AU, Therapeutic Goods Administration (GS1 Temporary Code) Australian administration responsible for the regulation of therapeutic goods in Australia.
X5	IT, Ufficio IVA (GS1 Temporary Code) Ufficio responsabile gestione partite IVA, Italy (Italian Institute issuing VAT registration numbers).
X6	Assigned by logistics service provider (GS1 Temporary Code) Codes assigned by the logistics service provider.
ZZZ	Mutually defined A code assigned within a code list to be used on an interim basis and as defined among trading partners until a precise code can be assigned to the code list.
3139	Contact function code Code specifying the function of a contact (e.g. department or person).
IC	Information contact Department/person to contact for questions regarding transactions.
3155	Communication address code qualifier Code qualifying the communication address.
AL	Cellular phone Identifies the cellular phone number.
AO	Uniform Resource Location (URL) Identification of the Uniform Resource Location (URL) Synonym: World wide web address. EDIFACT
AQ	X.400 address for mail text The X.400 address accepting information in the body text of a message.

Used Codes

AR	AS1 address Address capable of receiving messages in accordance with the EDIINT/AS1 protocol for MIME based EDI .
AS	AS2 address Address capable of receiving messages in accordance with the EDIINT/AS2 protocol.
AT	AS3 address Address capable of receiving messages in accordance with the EDIINT/AS3 protocol.
AU	File Transfer Protocol Address capable for receiving message in accordance with the File Transfer Protocol (IETF RFC 959 et. al.).
CA	Cable address The communication number identifies a cable address.
EI	EDI Number identifying the service and service user.
EM	Electronic mail Exchange of mail by electronic means. GS1 Description: Creating/sending/receiving of unstructured free text messages or documents using computer network, a mini-computer or an attached modem and regular telephone line or other electronic transmission media.
EXI	Exite mail (GS1 Temporary Code) Requests that the file shall be returned via Exite.
FX	Fax Device used for transmitting and reproducing fixed graphic material (as printing) by means of signals over telephone lines or other electronic transmission media.
IA	Interchange address (GS1 Temporary Code) Code identifying an EDI interchange address.
TE	Telephone Voice/data transmission by telephone.
TL	Telex Transmission of text/data via telex.
WWW	WWW-Site (GS1 Temporary Code) The identification of a world wide web address.
XF	X.400 The X.400 address. GS1 Description: CCITT Message handling system.

Used Codes

XG Pager
Identifies that the communication number is for a pager.

3207 Country name code
| Identification of the name of the country or other geographical entity as defined in ISO 3166-1.

Notes:
| 1. Use ISO 3166-1 two alpha country code.

AD	ANDORRA
AE	UNITED ARAB EMIRATES
AF	AFGHANISTAN
AG	ANTIGUA AND BARBUDA
AI	ANGUILLA
AL	ALBANIA
AM	ARMENIA
AN	NETHERLANDS ANTILLES
AO	ANGOLA
AQ	ANTARCTICA
AR	ARGENTINA
AS	AMERICAN SAMOA
AT	AUSTRIA
AU	AUSTRALIA
AW	ARUBA
AZ	AZERBAIJAN
BA	BOSNIA AND HERZEGOVINA
BB	BARBADOS
BD	BANGLADESH
BE	BELGIUM
BF	BURKINA FASO
BG	BULGARIA
BH	BAHRAIN
BI	BURUNDI
BJ	BENIN
BM	BERMUDA
BN	BRUNEI DARUSSALAM

Used Codes

BO	BOLIVIA
BR	BRAZIL
BS	BAHAMAS
BT	BHUTAN
BV	BOUVET ISLAND
BW	BOTSWANA
BY	BELARUS
BZ	BELIZE
CA	CANADA
CC	COCOS (KEELING) ISLANDS
CD	CONGO, THE DEMOCRATIC REPUBLIC OF THE
CF	CENTRAL AFRICAN REPUBLIC
CG	CONGO
CH	SWITZERLAND
CI	COTE D'IVOIRE
CK	COOK ISLANDS
CL	CHILE
CM	CAMEROON
CN	CHINA
CO	COLOMBIA
CR	COSTA RICA
CU	CUBA
CV	CAPE VERDE
CX	CHRISTMAS ISLAND
CY	CYPRUS
CZ	CZECH REPUBLIC
DE	GERMANY
DJ	DJIBOUTI
DK	DENMARK
DM	DOMINICA
DO	DOMINICAN REPUBLIC
DZ	ALGERIA
EC	ECUADOR

Used Codes

EE	ESTONIA
EG	EGYPT
EH	WESTERN SAHARA
ER	ERITREA
ES	SPAIN
ET	ETHIOPIA
FI	FINLAND
FJ	FIJI
FK	FALKLAND ISLANDS (MALVINAS)
FM	MICRONESIA, FEDERATED STATES OF
FO	FAROE ISLANDS
FR	FRANCE
GA	GABON
GB	UNITED KINGDOM
GD	GRENADA
GE	GEORGIA
GF	FRENCH GUIANA
GH	GHANA
GI	GIBRALTAR
GL	GREENLAND
GM	GAMBIA
GN	GUINEA
GP	GUADELOUPE
GQ	EQUATORIAL GUINEA
GR	GREECE
GS	SOUTH GEORGIA AND THE SOUTH SANDWICH ISLANDS
GT	GUATEMALA
GU	GUAM
GW	GUINEA-BISSAU
GY	GUYANA
HK	HONG KONG
HM	HEARD ISLAND AND MCDONALD ISLANDS
HN	HONDURAS

Used Codes

HR	CROATIA
HT	HAITI
HU	HUNGARY
ID	INDONESIA
IE	IRELAND
IL	ISRAEL
IN	INDIA
IO	BRITISH INDIAN OCEAN TERRITORY
IQ	IRAQ
IR	IRAN, ISLAMIC REPUBLIC OF
IS	ICELAND
IT	ITALY
JM	JAMAICA
JO	JORDAN
JP	JAPAN
KE	KENYA
KG	KYRGYZSTAN
KH	CAMBODIA
KI	KIRIBATI
KM	COMOROS
KN	SAINT KITTS AND NEVIS
KP	KOREA, DEMOCRATIC PEOPLE'S REPUBLIC OF
KR	KOREA, REPUBLIC OF
KW	KUWAIT
KY	CAYMAN ISLANDS
KZ	KAZAKSTAN
LA	LAO PEOPLE'S DEMOCRATIC REPUBLIC
LB	LEBANON
LC	SAINT LUCIA
LI	LIECHTENSTEIN
LK	SRI LANKA
LR	LIBERIA
LS	LESOTHO

Used Codes

LT	LITHUANIA
LU	LUXEMBOURG
LV	LATVIA
LY	LIBYAN ARAB JAMAHIRIYA
MA	MOROCCO
MC	MONACO
MD	MOLDOVA, REPUBLIC OF
MG	MADAGASCAR
MH	MARSHALL ISLANDS
MK	MACEDONIA, THE FORMER YUGOSLAV REPUBLIC OF
ML	MALI
MM	MYANMAR
MN	MONGOLIA
MO	MACAU
MP	NORTHERN MARIANA ISLANDS
MQ	MARTINIQUE
MR	MAURITANIA
MS	MONTSERRAT
MT	MALTA
MU	MAURITIUS
MV	MALDIVES
MW	MALAWI
MX	MEXICO
MY	MALAYSIA
MZ	MOZAMBIQUE
NA	NAMIBIA
NC	NEW CALEDONIA
NE	NIGER
NF	NORFOLK ISLAND
NG	NIGERIA
NI	NICARAGUA
NL	NETHERLANDS
NO	NORWAY

Used Codes

NP	NEPAL
NR	NAURU
NU	NIUE
NZ	NEW ZEALAND
OM	OMAN
PA	PANAMA
PE	PERU
PF	FRENCH POLYNESIA
PG	PAPUA NEW GUINEA
PH	PHILIPPINES
PK	PAKISTAN
PL	POLAND
PM	SAINT PIERRE AND MIQUELON
PN	PITCAIRN
PR	PUERTO RICO
PS	PALESTINIAN TERRITORY, OCCUPIED
PT	PORTUGAL
PW	PALAU
PY	PARAGUAY
QA	QATAR
RE	REUNION
RO	ROMANIA
RS	SERBIA
RU	RUSSIAN FEDERATION
RW	RWANDA
SA	SAUDI ARABIA
SB	SOLOMON ISLANDS
SC	SEYCHELLES
SD	SUDAN
SE	SWEDEN
SG	SINGAPORE
SH	SAINT HELENA
SI	SLOVENIA

Used Codes

SJ	SVALBARD AND JAN MAYEN
SK	SLOVAKIA
SL	SIERRA LEONE
SM	SAN MARINO
SN	SENEGAL
SO	SOMALIA
SR	SURINAME
ST	SAO TOME AND PRINCIPE
SV	EL SALVADOR
SY	SYRIAN ARAB REPUBLIC
SZ	SWAZILAND
TC	TURKS AND CAICOS ISLANDS
TD	CHAD
TF	FRENCH SOUTHERN TERRITORIES
TG	TOGO
TH	THAILAND
TJ	TAJIKISTAN
TK	TOKELAU
TM	TURKMENISTAN
TN	TUNISIA
TO	TONGA
TP	EAST TIMOR
TR	TURKEY
TT	TRINIDAD AND TOBAGO
TV	TUVALU
TW	TAIWAN, PROVINCE OF CHINA
TZ	TANZANIA, UNITED REPUBLIC OF
UA	UKRAINE
UG	UGANDA
UM	UNITED STATES MINOR OUTLYING ISLANDS
US	UNITED STATES
UY	URUGUAY
UZ	UZBEKISTAN

Used Codes

VA	HOLY SEE (VATICAN CITY STATE)
VC	SAINT VINCENT AND THE GRENADINES
VE	VENEZUELA
VG	VIRGIN ISLANDS, BRITISH
VI	VIRGIN ISLANDS, U.S.
VN	VIET NAM
VU	VANUATU
WF	WALLIS AND FUTUNA
WS	SAMOA
YE	YEMEN
YT	MAYOTTE
YU	YUGOSLAVIA
ZA	SOUTH AFRICA
ZM	ZAMBIA
ZW	ZIMBABWE

3453

Language name code
Code specifying the language name.

Notes:
1. Use ISO 639-1988.

AA	Afar
AB	Abkhazian
AF	Afrikaans
AM	Amharic
AR	Arabic
AS	Assamese
AY	Aymara
AZ	Azerbaijani
BA	Bashkir
BE	Byelorussian
BG	Bulgarian
BH	Bihari
BI	Bislama
BN	Bengali; Bangla

Used Codes

BO	Tibetan
BR	Breton
CA	Catalan
CO	Corsican
CS	Czech
CY	Welsh
DA	Danish
DE	German
DZ	Bhutani
EL	Greek
EN	English
EO	Esperanto
ES	Spanish
ET	Esotonian
EU	Basque
FA	Persian
FI	Finnish
FJ	Fiji
FO	Faroese
FR	French
FY	Frisian
GA	Irish
GD	Scots Gaelic
GL	Galician
GN	Guarani
GU	Gujarati
HA	Hausa
HE	Hebrew
HI	Hindi
HR	Croatian
HU	Hungarian
HY	Armenian
IA	Interlingua

Used Codes

ID	Indonesian
IE	Interlingue
IK	Inupiak
IS	Icelandic
IT	Italian
IU	Eskimo, Inuktiut CA
JA	Japanese
JW	Javanese
KA	Georgian
KK	Kazakh
KL	Greenlandic
KM	Cambodian
KN	Kannada
KO	Korean
KS	Kashmiri
KU	Kurdish
KY	Kirghiz
LA	Latin
LN	Lingala
LO	Laothian
LT	Lithuanian
LV	Latvian, Lettish
MG	Malagasy
MI	Maori
MK	Macedonian
ML	Malayalam
MN	Mangolian
MO	Moldavian
MR	Marathi
MS	Malay
MT	Maltese
NA	Nauru
NE	Nepali

Used Codes

NL	Dutch
NO	Norwegian
OC	Occitan
OM	(Afan) Oromo
OR	Oriya
PA	Punjabi
PL	Polish
PS	Pashto, Pushto
PT	Portuguese
QU	Quechua
RM	Rhaeto-Romance
RN	Kirundi
RO	Romanian
RU	Russian
RW	Kinyarwanda
SA	Sanskrit
SD	Sindhi
SG	Sangho
SH	Serbo-Croatian
SI	Singhalese
SK	Slovak
SL	Slovenian
SM	Samoan
SN	Shona
SO	Somali
SQ	Albanian
SR	Serbian
SS	Siswati
ST	Sesotho
SU	Sundanese
SV	Swedish
SW	Sawahili
TA	Tamil

Used Codes

TE	Telugu
TG	Tajik
TH	Thai
TI	Tigrinya
TK	Turkmen
TL	Tagalog
TN	Setswana
TO	Tonga
TR	Turkish
TS	Tsonga
TT	Tatar
TW	Twi
UG	Uigur
UK	Ukrainian
UR	Urdu
UZ	Uzbek
VI	Vietnamese
VO	Volapük
WO	Wolof
YI	Yiddish
YO	Yoruba
ZA	Zhuang
ZH	Chinese
ZU	Zulu

4053

Delivery or transport terms description code
Code specifying the delivery or transport terms.

Notes:

1. Recommend use UN/ECE Recommendation No. 5 Incoterms 1990. If directory codes or Recommendation No. 5 codes are not applicable, use appropriate code set in combination with 1131/3055.

01E

Contact delivery party before delivery (GS1 Temporary Code)
Indication that the delivery party should be contacted before delivery.

02E

Despatch goods urgent delivery (GS1 Temporary Code)
Requests that the goods be despatched urgently.

Used Codes

03E	Special delivery conditions (GS1 Temporary Code) Indication that the delivery is subject to special conditions agreed between the trading partners.
04E	Cash on delivery (GS1 Temporary Code) Indication that the delivery is subject to cash on delivery conditions.
CFR	Cost & Freight GS1 Description: The risk is transferred when the goods have effectively passed the ship's rail at the port of shipment. Insurance to be covered by the buyer.
CIF	Cost, Insurance, Freight to named destination GS1 Description: The risk is transferred when the goods have effectively passed the ship's rail at the port of shipment. Insurance to be covered by the seller.
CIP	Freight, Carriage, Insurance to destination GS1 Description: The risk is transferred when the goods are taken into custody by the first carrier. Insurance to be covered by the seller.
CPT	Freight, Carriage paid to destination GS1 Description: The risk is transferred when the goods are taken into custody by the first carrier who has undertaken transportation from the place of departure. Insurance to be covered by the buyer.
DAF	Delivery at frontier - Named place GS1 Description: The risk is transferred when the goods are put at the disposal of the buyer at the named place at frontier. Insurance to be covered by the seller.
DDP	Delivered duty paid to destination GS1 Description: The risk is transferred when the goods are put at the disposal of the buyer at the named place. Duty is paid. Insurance to be covered by the seller.
DDU	Delivered duty unpaid GS1 Description: The risk is transferred when the goods are put at the disposal of the buyer at the named place. Duty is not paid. Insurance to be covered by the seller.
DEQ	Delivered Ex Quay - Duty paid, Named port GS1 Description: The risk is transferred when the goods have been effectively put at the disposal of the buyer on the quay at the port of destination. Insurance to be covered by the seller.
DES	Delivered Ex ship - Named port of destination GS1 Description: The risk is transferred when the goods have been effectively put at the disposal of the buyer on board the ship at the port of destination. Insurance to be covered by the seller.

Used Codes

EXW	Ex works GS1 Description: The risk is transferred when the goods are put at the disposal of the buyer according to the terms of the agreement. Insurance to be covered by the buyer.
FAS	Free alongside ship GS1 Description: The risk is transferred when the goods have been effectively delivered alongside the ship at the named port of shipment. Insurance to be covered by the buyer.
FCA	Free carrier - Named point GS1 Description: The risk is transferred when the goods are taken into custody of the carrier at the time and named point mentioned in the contract. Insurance to be covered by the buyer (the seller to the named point).
FOA	FOB Airport - Named airport of departure
FOB	Free on Board - Named port of shipment GS1 Description: The risk is transferred when the goods have effectively passed the ship's rail at the port of shipment. Insurance to be covered by the buyer.
FOR	Free on Rail - Named departure point
RDN	Return the delivery note signed by the goods recipient (GS1 Temporary Code) Indication that the delivery note has to be returned signed by the goods recipient.
RPD	Return the number of the "proof of delivery" generated by the goods recipient has to be returned (GS1 Temporary Code) Indication that the number of the "proof of delivery" generated by the goods recipient has to be returned.
SD	Shipment of order split over more than one means of transport (GS1 Temporary Code) Shipment of an order has been split over more than one means of transport.
4055	Delivery or transport terms function code Code specifying the function of delivery or transport terms.
6	Delivery condition Specifies the conditions under which the goods must be delivered to the consignee.
4347	Product identifier code qualifier Code qualifying the product identifier.
1	Additional identification Information which specifies and qualifies product identifications.

Used Codes

4441	Free text value code Code specifying free form text.
78E	Proof Of Delivery (GS1 Permanent Code) The mentioned URL refers to a Proof of Delivery document. This Code value can be used if DE 4451 of the FTX segment is ZXL.
4451	Text subject code qualifier Code qualifying the subject of the text.
DEL	Delivery information Information about delivery.
DSI	Information to be printed on despatch advice (GS1 Temporary Code) Specification of free text information which is to be printed on a despatch advice.
HAN	Handling instructions [4078] Instructions on how specified goods, packages or containers should be handled.
4453	Free text function code Code specifying the function of free text.
1	Text for subsequent use The occurrence of this text does not affect message processing.
5025	Monetary amount type code qualifier Code qualifying the type of monetary amount.
22	Cash on delivery amount Amount to be collected by carrier upon delivery of goods. This amount represents approximately the value of the goods.
6063	Quantity type code qualifier Code qualifying the type of quantity.
113	Quantity to be delivered The quantity to be delivered.
6345	Currency identification code Code specifying a monetary unit.
	Notes: 1. Use ISO 4217 three alpha code.
ADP	Andorran Peseta
AED	UAE Dirham

Used Codes

AFA	Afghani
ALL	Lek
AMD	Armenian Dram
ANG	Netherlands Antillian Guilder
AOA	Kwanza
AOK	Kwanza
ARA	Austral
ARS	Argentine Peso
ATS	Schilling
AUD	Australian Dollar
AWG	Aruban Guilder
AZM	Azerbaijani Manat
BAM	Convertible Mark
BBD	Barbados Dollar
BDT	Taka
BEC	Belgian Franc (convertible)
BEF	Belgian Franc
BEL	Belgian Franc (financial)
BGL	Lev
BGN	Bulgarian Lev
BHD	Bahraini Dinar
BIF	Burundi Franc
BMD	Bermudian Dollar (customarily: Bermuda Dollar)
BND	Brunei Dollar
BOB	Boliviano
BOV	Mvdol
BRC	Cruzado
BRL	Brazilian Real
BSD	Bahamian Dollar
BTN	Ngultrum
BUK	Kyat
BWP	Pula
BYB	Belarussian Ruble

Used Codes

BYR	Belarussian Ruble
BZD	Belize Dollar
CAD	Canadian Dollar
CDF	Franc Congolais
CHF	Swiss Franc
CLF	Unidades de Formento
CLP	Chilean Peso
CNY	Yuan Renminbi
COP	Colombian Peso
CRC	Costa Rican Colon
CUP	Cuban Peso
CVE	Cape Verde Escudo
CYP	Cyprus Pound
CZK	Czech Koruna
DEM	Deutsche Mark
DJF	Djibouti Franc
DKK	Danish Krone
DOP	Dominican Peso
DZD	Algerian Dinar
ECS	Sucre
ECV	Unidad de Valor Constante (UVC)
EEK	Kroon
EGP	Egyptian Pound
ERN	Nakfa
ESP	Spanish Peseta
ETB	Ethopian Birr
EUR	Euro GS1 Description: Official monetary unit of the European Union (EU).
FIM	Markka
FJD	Fiji Dollar
FKP	Falkland Islands Pound
FRF	French Franc
GBP	Pound Sterling

Used Codes

GEL	Lari
GHC	Cedi
GIP	Gibraltar Pound
GMD	Dalasi
GNF	Guinea Franc
GRD	Drachma
GTQ	Quetzal
GWP	Guinea-Bissau Peso
GYD	Guyana Dollar
HKD	Honk Kong Dollar
HNL	Lempira
HRD	Croatian Dinar (GS1 Temporary Code)
HRK	Kuna
HTG	Gourde
HUF	Forint
IDR	Rupiah
IEP	Irish Pound
ILS	New Israeli Sheqel
INR	Indian Rupee
IQD	Iraqi Dinar
IRR	Iranian Rial
ISK	Iceland Krona
ITL	Italian Lira
JMD	Jamaican Dollar
JOD	Jordanian Dinar
JPY	Yen
KES	Kenyan Shilling
KGS	Som
KHR	Riel
KMF	Comoro Franc
KPW	North Korean Won
KRW	Won
KWD	Kuwaiti Dinar

Used Codes

KYD	Cayman Islands Dollar
KZT	Tenge
LAK	Kip
LBP	Lebanese Pound
LKR	Sri Lanka Rupee
LRD	Liberian Dollar
LSL	Loti
LTL	Lithuanian Litas
LUC	Luxembourg Franc (convertible)
LUF	Luxembourg Franc
LUL	Luxembourg Franc (financial)
LVL	Latvian Lats
LYD	Libyan Dinar
MAD	Moroccan Dirham
MDL	Moldovan Leu
MGF	Malagasy Franc
MKD	Denar
MNT	Tugrik
MOP	Pataca
MRO	Ouguiya
MTL	Maltese Lira
MUR	Mauritius Rupee
MVR	Rufiyaa
MWK	Kwacha
MXN	Mexican Peso
MXV	Mexican Unidad de Inversion (UDI)
MYR	Malaysian Ringgit
MZM	Metical
NAD	Namibia Dollar
NGN	Naira
NIC	Cordoba
NIO	Cordoba Oro
NLG	Netherlands Guilder

Used Codes

NOK	Norwegian Krone
NPR	Nepalese Rupee
NZD	New Zealand Dollar
OMR	Rial Omani
PAB	Balboa
PEI	Inti
PEN	Nuevo Sol
PGK	Kina
PHP	Philippine Peso
PKR	Pakistan Rupee
PLN	Zloty
PTE	Portuguese Escudo
PYG	Guarani
QAR	Qatari Rial
ROL	Leu
RSD	Serbian Dinar
RUB	Russian Ruble
RWF	Rwanda Franc
SAR	Saudi Riyal
SBD	Solomon Islands Dollar
SCR	Seychelles Rupee
SDD	Sudanese Dinar
SEK	Swedish Krona
SGD	Singapore Dollar
SHP	St. Helena Pound
SIT	Tolar
SKK	Slovak Koruna
SLL	Leone
SOS	Somali Shilling
SRG	Suriname Guilder
STD	Dobra
SVC	El Salvador Colon
SYP	Syrian Pound

Used Codes

SZL	Lilangeni
THB	Baht
TJR	Tajik Ruble
TMM	Manat
TND	Tunisian Dinar
TOP	Pa'anga
TPE	Timor Escudo
TRL	Turkish Lira
TTD	Trinidad and Tobago Dollar
TWD	New Taiwan Dollar
TZS	Tanzanian Shilling
UAH	Hryvnia
UGX	Uganda Shilling
USD	US Dollar
USN	US Dollar (next day)
USS	US Dollar (same day)
UYU	Peso Uruguayo
UZS	Uzbekistan Sum
VEB	Bolivar
VND	Dong
VUV	Vatu
WST	Tala
XAF	CFA Franc BEAC
XAG	Silver
XAU	Gold
XBA	European Composite Unit (EURCO)
XBB	European Monetary Unit (E.M.U.-6)
XBC	European Unit of Account 9 (E.U.A.-9)
XBD	European Unit of Account 17 (E.U.A.-17)
XCD	East Carribean Dollar
XDR	SDR
XEU	European Currency Unit (E.C.U.) (GS1 Temporary Code)
XFO	Gold-Franc

Used Codes

XFU	UIC-Franc
XOF	CFA Franc BCEAO
XPD	Palladium
XPF	CFP Franc
XTS	Code specifically reserved for testing purposes
XXX	For transactions where no currency is involved
YDD	Yemeni Dinar
YER	Yemeni Rial
YUM	New Dinar
YUN	Yugoslavian Dinar (GS1 Temporary Code)
ZAR	Rand
ZMK	Kwacha
ZWD	Zimbabwe Dollar

6411

Measurement unit code

Code specifying the unit of measurement.

Notes:

| 1. Recommend use UN/ECE Recommendation 20, Common code.

001	Barrel (205 litres, 45 gallons) (GS1 Temporary Code)
002	Degree days (GS1 Temporary Code)
003	Gigacaloric (GS1 Temporary Code)
04	small spray
23	gram per cubic centimetre GS1 Description: g/cm ³ as a unit of measure for the density of gas. This is necessary for dangerous substance articles for determination of the quantities that can be stored together on the shelf.
25	gram per square centimetre GS1 Description: A measure of weight in terms of gram per square centimetre.
28	kilogram per square metre GS1 Description: Unit of measure expressed in kilogram per square metre.
37	ounce per square foot
59	part per million
64	Pound per square inch, gauge A unit of measure expressed in pound per square inch

Used Codes

2N	decibel
2X	metre per minute GS1 Description: A measure of speed in terms of metres per minute.
4K	milliampere
4L	megabyte GS1 Description: A unit of computer memory equal to 1.048.576 (i.e. 2 power 20) bytes.
4O	microfarad GS1 Description: One millionth of a farad. A farad is the capacitance of a capacitor between the plates of which a potential of 1 volt is created by a charge of 1 Coulomb.
4P	newton per metre
A25	cheval vapeur
A86	gigahertz GS1 Description: Hertz multiplied by 10*9.
A99	Bit A unit of information equal to one binary digit.
ACR	acre GS1 Description: Acre (4840 yd ²)
AD	byte GS1 Description: A unit of information stored in a computer, equal to eight bits.
AMH	ampere hour GS1 Description: Ampere-hour (3,6kC)
AMP	ampere
AMT	Amount (GS1 Temporary Code) A measurement of monetary amount.
ANN	year GS1 Description: The expression of a year as a measure unit.
APX	Troy ounce (31.10348 g) (GS1 Temporary Code)
APZ	Troy ounce or apothecary ounce EDIFACT
ASM	alcoholic strength by mass GS1 Description: Alcoholic strength expressed by mass.

Used Codes

ASU	alcoholic strength by volume GS1 Description: Alcoholic strength expressed by volume.
AV	capsule GS1 Description: Encapsuled dosage form for pharmaceuticals.
B13	Joule per square metre A unit of measure of heat energy expressed in joule per square metre.
B17	Credit A unit of count defining the number of entries made to the credit side of an account.
BAR	bar GS1 Description: A unit of measure equal to 106 dines per square centimeter.
BTU	British thermal unit GS1 Description: British thermal unit (1,055 kilojoules)
C0	call GS1 Description: Unit of measure for telephone calls. Code value is C0 (C Zero).
C60	ohm centimetre GS1 Description: Unit of measure expressed in Ohm centimetre.
C79	Kilovolt Ampere Hour A unit of accumulated energy of 1000 volt amperes over a period of one hour. EDIFACT
CDL	candela GS1 Description: Unit of measure of light intensity.
CEL	degree celsius
CF2	Colony forming unit per gram (GS1 Temporary Code) Colony forming units per gram is a unit of measure for micro-organisms, such as bacteria, in a food item. Micro-organisms form colonies that are be counted under determined conditions
CLT	centilitre GS1 Description: A unit of volume equal to one hundredth of a liter.
CMK	square centimetre
CMQ	cubic centimetre GS1 Description: A system of units for the measurement of volume based on the cubic centimetre.
CMT	centimetre

Used Codes

D19	Square metre kelvin per watt Unit of measure of thermal insulance expressed in square metre kelvin per watt.
D21	square metre per kilogram GS1 Description: Unit of measure expressed in square metre per kilogram.
D32	Terawatt hour A unit of measure expressed in terawatt hour
D5	Kilogram per square centimetre A unit of measure expressed in kilogram per square centimetre
D55	Watt per square metre kelvin Unit of measure of thermal conductance expressed in watt per square metre kelvin.
D68	Number of Words A unit of count defining the number of words. EDIFACT
DAY	day GS1 Description: The expression of a day as a measure unit.
DD	degree GS1 Description: Unit of measure of temperature.
DMQ	cubic decimetre GS1 Description: Unit of measure expressed in cubic decimetre.
DMT	decimetre
DOS	Dose (GS1 Temporary Code) An amount of medicine, etc administered at one time.
DRG	Dragée (GS1 Temporary Code) Number of dragées (coated tablets) contained in the item's package as a measurement unit.
DZN	dozen GS1 Description: A unit of measure of 12 or group of 12.
E09	Milliampere hour A unit of power load delivered at the rate of one thousandth of an ampere over a period of one hour. EDIFACT
E10	Degree day A unit of measure used in meteorology and engineering to measure the demand for heating or cooling over a given period of days. EDIFACT

Used Codes

E11	Gigacalorie A unit of heat energy equal to one thousand million calories. EDIFACT
E27	Dose A unit of count defining the number of doses (dose: a definite quantity of a medicine or drug). EDIFACT
E31	Square metre per litre A unit of count defining the number of square metres per litre. EDIFACT
E32	Litre per hour A unit of count defining the number of litres per hour. EDIFACT
E34	Gigabyte A unit of information equal to 10 E9 bytes.
E37	Pixel A unit of count defining the number of pixels (pixel: picture element).
E38	Megapixel A unit of count equal to 10 E6 (1000000) pixels (picture elements).
E39	Dots per inch A unit of information defining the number of dots per linear inch as a measure of the resolution or sharpness of an image. GS1 Description: synonym: pixels per inch.
EA	each
EV	envelope GS1 Description: A unit of measure pertaining to the number of envelopes.
FAH	degree Fahrenheit
FOT	foot GS1 Description: Foot (0,3048 m)
FP	Pound per square foot A unit of measure expressed in pound per square foot
FTK	Square foot A unit of measure expressed in square foot
FTQ	cubic foot
GL	gram per litre
GLI	gallon (UK) GS1 Description: Gallon (4,546092 dm3)

Used Codes

GM	gram per square metre GS1 Description: Unit of measure of grams per square metre.
GRM	gram
GRO	gross GS1 Description: A unit of measure of 12 dozens.
GV	gigajoule
GWH	gigawatt hour GS1 Description: Gigawatt-hour (1 million kW/h)
H87	Piece A unit of count defining the number of pieces (piece: a single item, article or exemplar). EDIFACT
HLT	hectolitre
HMT	hectometre A unit of linear measure equal to 10 E2 metres.
HTZ	hertz GS1 Description: One cycle per second.
HUR	hour
INH	inch GS1 Description: Inch (25,4 mm)
INK	Square inch A unit of measure expressed in square inch
JM	Megajoule per cubic metre EDIFACT
JOU	joule
K51	Kilocalorie (mean) EDIFACT
KAH	Kilovolt Ampere Hour (GS1 Temporary Code) A unit of measure expressed in Kilovolt Ampere Hour.
KB	kilocharacter
KBA	kilobar
KCL	Kilocalorie (GS1 Temporary Code) Unit of measure for the calorific value of the item (= 1000 cal).
KEL	kelvin
KGM	kilogram

Used Codes

KHZ	kilohertz
KJO	kilojoule
KL	kilogram per metre GS1 Description: A measure of weight in terms of kilogram per metre.
KMH	kilometre per hour GS1 Description: A unit of measure expressed in kilometre per hour.
KMQ	kilogram per cubic metre GS1 Description: A measure of weight in terms of kilogram per cubic metre.
KPA	kilopascal GS1 Description: Unit of measure expressed in kilopascal.
KTM	kilometre
KVA	kilovolt - ampere GS1 Description: A unit of electric power.
KVT	kilovolt
KWH	kilowatt hour
KWT	kilowatt
L2	litre per minute GS1 Description: Unit of measure expressed in litre per minute.
LBR	Pound EDIFACT
LD	Litre per day A unit of measure defining the number of litres per day.
LIH	Litre per hour (GS1 Temporary Code) Unit of measure expressed in litre per hour.
LNE	Printed line count (GS1 Temporary Code) The indication of the count of printed lines included on a paper communication (e.g. telegram) for invoicing purposes.
LTR	litre GS1 Description: Litre (1 dm ³)
LUX	lux GS1 Description: Unit of measure of illumination (it corresponds to the illumination of a surface which normally and uniformly receives a light flow of 1 lumen per square meter).

Used Codes

M4	Monetary value A unit of measure expressed as a monetary amount. EDIFACT
MAL	mega litre
MAW	megawatt
MC	microgram One millionth of a gram.
MCU	millicurie GS1 Description: Unit of measure for radioactivity.
MGM	milligram
MHZ	megahertz
MIN	minute
MLT	millilitre
MMK	square millimetre GS1 Description: A unit to measure a surface equal to one millionth of a quadrate.
MMQ	cubic millimetre GS1 Description: A unit of measure expressed in cubic milimetres.
MMT	millimetre
MON	month GS1 Description: The expression of a month as a measure unit.
MPA	megapascal GS1 Description: A unit of measure expressed in Megapascal.
MQH	Cubic metre per hour A unit of measure defining the number of cubic metres per hour.
MTA	Micro farad (GS1 Temporary Code) One millionth of a farad. A farad is the capacitance of a capacitor between the plates of which a potential of 1 volt is created by a charge of 1 Coulomb.
MTK	square metre
MTQ	cubic metre
MTR	metre
MTS	Metre per second A unit of speed expressed in metres per second.
MWH	megawatt hour (1000 kW.h)
NAR	number of articles

Used Codes

NEW	newton GS1 Description: The SI unit of force, equal to the force that would give a mass of one kilogram an acceleration of one metre per second.
NIU	number of international units A unit of count defining the number of international units.
NRL	number of rolls
ONZ	ounce GS1 Description: Ounce GB, US (28,349523 g)
OZA	fluid ounce (US) GS1 Description: Fluid ounce US (29,5735 cm ³)
OZI	fluid ounce (UK) GS1 Description: Fluid ounce UK (28,413 cm ³)
P1	percent GS1 Description: This code is used to indicate measurements in terms of percentages, e.g. the relative humidity (code RA in data element 6313) is 52%.
PA	packet
PAL	pascal GS1 Description: The SI unit of pressure, equal to one Newton per square metre.
PCE	Piece (GS1 Temporary Code)
PF	pallet (lift) GS1 Description: A number of articles expressed in terms of pallets.
PND	Pound (GS1 Temporary Code)
PR	pair GS1 Description: Two articles which belong together but are not necessarily identical.
PTI	pint (UK) GS1 Description: Pint UK (0,568262 dm ³)
PTN	Portion (GS1 Temporary Code) The identification of the number of portions (doses in medical terms) into which a complete product may be broken into for serving purposes, e.g. a pie with 6 portions, a liquid medicine with 20 doses.
QAN	quarter (of a year)
QTI	quart (UK) GS1 Description: Quart UK (1,1136523 dm ³)

Used Codes

RJH	Decanewton (GS1 Temporary Code) A unit of force equal to 10 Newton.
RPM	revolutions per minute
RTO	Ratio (GS1 Temporary Code)
SEC	second
SMI	Mile (statute mile) A unit of measure expressed in mile
SML	Square metre per litre (GS1 Temporary Code) Unit of measure expressed in square metre per litre.
ST	sheet
TNE	tonne (metric ton) GS1 Description: Metric ton (1000kg)
U2	tablet A unit of count defining the number of tablets (tablet: a small flat or compressed solid object). GS1 Description: Dosage form for pharmaceuticals, pressed or compacted from a powder into a solid dose.
UI	Unit of activity, predefined (GS1 Temporary Code) A measure pertaining to a predefined activity.
VI	vial GS1 Description: Small glass container. E.g. for a liquid medicine or perfume.
VLT	volt
WHR	watt hour
WRD	Word (GS1 Temporary Code) The specification of a word as a measurement unit, e.g. 21 words in a telex.
WTT	watt
YDK	Square yard A unit of measure expressed in square yard
YRD	yard GS1 Description: Yard (0,9144 m)
ZE	Milliampere hour (GS1 Temporary Code) A practical unit of quantity of electricity; the quantity that flows in one hour through a conductor carrying a current of 1 Ampere. 1 Ampere-hour is the equivalent to 36000 Coulombs.

Used Codes

ZP	page GS1 Description: The indication of a page as a measurement unit for invoicing purposes, e.g. fax pages.
7143	Item type identification code Coded identification of an item type.
NB	Batch number The item number is a batch number. GS1 Description: Number supplementing the identification code of a product used to identify the specific production place and/or time of a product.
SA	Supplier's article number Number assigned to an article by the supplier of that article.
SRV	GS1 Global Trade Item Number A unique number, up to 14-digits, assigned according to the numbering structure of the GS1 system. 'GS1' stands for the 'Global Standards One'.
7405	Object identification code qualifier Code qualifying the identification of an object.
BJ	Serial shipping container code GS1 Description: A single unique serial number which identifies shipping containers or shipping packages.
8051	Transport stage code qualifier Code qualifying a specific stage of transport.
1	Inland transport Transport by which goods are moved from or to the frontier, or between inland points.
10	Pre-carriage transport Transport by which the goods are moved prior to their main carriage transport.
11	At border Transport by which goods are moved to the Customs frontier.
12	At departure Transport by which goods are moved from the place of departure.
13	At destination Transport by which goods are moved at the place of destination.
20	Main-carriage transport The primary stage in the movement of cargo from the point of origin to the intended destination.

Used Codes

25	Delivery carrier all transport Carrier responsible from the point of origin to the final delivery destination.
30	On-carriage transport Transport by which the goods are moved after the main carriage transport.
I	Origin switch carrier (GS1 Temporary Code) Carrier taking responsibility for the goods from the carrier which has transported them from their point of origin.
8067	Transport mode name code Code specifying the name of a mode of transport. Notes: 1. Use UN/ECE Recommendation No 19.
00	This code should be avoided. This code should be avoided since the digit "0" conventionally indicates that the related information is not available. It may, however, be used when indication of a mode of transport would be irrelevant, e.g. statistical reporting should not take place (for samples, gifts, personal effects, etc.).
10	Maritime transport This code should be used whenever the transport vehicle completes any part of its journey by sea.
20	Rail transport
30	Road transport
40	Air transport
50	Mail (Actual mode of transport unknown) - This code is provided for practical reasons, despite the fact that mail is not a genuine mode of transport. In many countries, the value of merchandise exported by mail is considerable, but the exporter or importer concerned would be unable to state by which mode postal items had passed the national border.
60	Multimodal transport This code is used when goods are carried to their destination by at least two different modes on the basis of one transport contract. (Local pick-up and delivery of goods out in the performance of a unimodal transport contract shall not be considered as multimodal transport.)
70	Fixed transport installations This code applies to installations for continuous transport such as pipelines, ropeways and electric power lines.
80	Inland water transport This code is used only where carriage is effected entirely by inland water transport.

Used Codes

100	Courier service (GS1 Temporary Code) A courier service used to collect and deliver a consignment to its destination.
8179	Transport means description code Code specifying the means of transport.
1	Barge chemical tanker A barge equipped to transport liquid chemicals.
9	Exceptional transport Transport for which common characteristics are not applicable (e.g. big transformers requiring special wagons, special tackles, special routing etc.).
12	Ship tanker A large vessel equipped to transport liquids.
13	Ocean vessel
19	Tip-up truck A truck capable of tipping up in order to deliver its load.
20	Furniture truck A truck used explicitly for the conveyance of furniture.
21	Rail tanker A rail wagon equipped to transport liquids.
22	Rail silo tanker Self explanatory. Notes: This code value will be removed effective with directory D.04B.
23	Rail bulk car A rail wagon equipped to transport bulk cargo.
25	Rail express Description to be provided. Notes: This code value will be removed effective with directory D.04B.
26	Tip-up articulated truck An articulated truck capable of tipping up in order to deliver its load.
28	Refrigerated truck and trailer A combined truck and trailer equipped to maintain refrigerated temperatures. GS1 Description: A truck and trailer capable of transporting refrigerated goods.
29	Freezer truck and trailer A combined truck and trailer equipped to maintain freezing temperatures. GS1 Description: A truck and trailer capable of transporting frozen goods.

Used Codes

30	Tautliner 25 tonne, combined with 90 cubic meter trailer with removable roof A truck with non-ridged sides, 25 tonne capacity combined with a 90 cubic meter trailer with removable roof.
31	Truck An automotive vehicle for hauling goods.
32	Road tanker An over-the-road tank trucker or trailer.
33	Road silo tanker Description to be provided. Notes: This code value will be removed effective with directory D.04B.
35	Truck/trailer with tilt A truck and trailer combination with a tilting capability. GS1 Description: A truck/trailer fitted with a tilting mechanism.
40	Truck with opening floor A truck with an opening floor mechanism which is used to discharge the cargo.
41	Freezer truck A truck equipped to maintain freezing temperatures.
42	Isothermic truck A truck equipped to maintain controlled temperatures.
43	Refrigerated truck A truck equipped to maintain refrigerated temperatures. GS1 Description: A truck capable of transporting refrigerated goods.
44	Freezer van A small rigid covered vehicle for conveying frozen goods. GS1 Description: A van capable of transporting frozen goods.
45	Isothermic van A small rigid covered vehicle for conveying temperature controlled goods. GS1 Description: A van capable of transporting temperature controlled goods.
46	Refrigerated van A small rigid covered vehicle for conveying refrigerated goods. GS1 Description: A van capable of transporting refrigerated goods.
47	Bulk truck A truck suitable for transporting bulk goods.

Used Codes

48	Van A small vehicle suitable for carrying small volume loads.
73	Train with more than one and less than 20 wagons A train with more than one and less than 20 wagons used to carry goods.
74	Train with 20 or more wagons A train with 20 or more wagons used to carry goods.
77	Freezer truck and isothermic trailer A combined freezer truck and isothermic trailer.
78	Isothermic truck and isothermic trailer A truck and a trailer equipped to maintain controlled temperatures.
79	Refrigerated truck and isothermic trailer A combined refrigerated truck and isothermic trailer.
80	Freezer truck and refrigerated trailer A combined freezer truck and refrigerated trailer.
81	Isothermic truck and refrigerated trailer A combined isothermic truck and refrigerated trailer.
82	Rigid truck with tank and tank trailer A combined rigid truck with tank and tank trailer.
83	Bulk truck and tank trailer A combined truck capable of carrying liquids or bulk goods and a tank trailer.
84	Rigid truck with tank and bulk trailer A combined rigid truck with tank and a trailer capable of carrying liquids or bulk goods.
85	Bulk truck and bulk trailer A combined truck and a trailer both capable of carrying liquids or bulk goods.
86	Tautliner truck and extendable trailer A combined tautliner truck and extendable trailer.
87	Tautliner truck with removable roof and extendable trailer A combined tautliner truck with removable roof and extendable trailer.
88	Truck with opening floor and extendable trailer A combined truck with opening floor and extendable trailer.
89	Bulk truck and extendable trailer A combined truck capable of carrying liquids or bulk goods and an extendable trailer.
90	Isothermic truck and freezer trailer A combined isothermic truck and freezer trailer.

Used Codes

91	Refrigerated truck and freezer trailer A combined refrigerated truck and freezer trailer.
92	Tip-up truck and gondola trailer A combined tip-up truck and gondola trailer. A gondola trailer is a split level trailer suitable for the transport of heavy machinery.
93	Tautliner truck and gondola trailer A combined tautliner truck and gondola trailer. A gondola trailer is a split level trailer suitable for the transport of heavy machinery.
94	Tautliner truck with removable roof and gondola trailer A combined tautliner truck with removable roof and gondola trailer. A gondola trailer is a split level trailer suitable for the transport of heavy machinery.
95	Truck with opening floor and gondola trailer A combined truck with opening floor and gondola trailer. A gondola trailer is a split level trailer suitable for the transport of heavy machinery.
96	Bulk truck and gondola trailer A combined truck capable of carrying liquids or bulk goods and a gondola trailer. A gondola trailer is a split level trailer suitable for the transport of heavy machinery.
97	Tip-up truck and extendable gondola trailer A combined tip-up truck with extendable gondola trailer. An extendable gondola trailer is a trailer fitted with a rear axle which can be extended to cater for variable length and is suitable for the transport of heavy machinery.
98	Tautliner truck and extendable gondola trailer A combined tautliner truck and extendable gondola trailer. An extendable gondola trailer is a trailer fitted with a rear axle which can be extended to cater for variable length and is suitable for the transport of heavy machinery.
99	Tautliner truck with removable roof and extendable gondola trailer A combined tautliner truck with removable roof and extendable gondola trailer. An extendable gondola trailer is a trailer fitted with a rear axle which can be extended to cater for variable length and is suitable for the transport of heavy machinery.
100	Truck with opening floor and extendable gondola trailer A combined truck with opening floor and extendable gondola trailer. An extendable gondola trailer is a trailer fitted with a rear axle which can be extended to cater for variable length and is suitable for the transport of heavy machinery.
101	Bulk truck and extendable gondola trailer A combined truck capable of carrying liquids or bulk goods and a extendable gondola trailer. An extendable gondola trailer is a trailer fitted with a rear axle which can be extended to cater for variable length and is suitable for the transport of heavy machinery.
102	Tip-up truck and trailer with opening floor A combined tip-up truck and trailer with opening floor.

Used Codes

103	Tautliner truck and trailer with opening floor A combined tautliner truck and trailer with opening floor.
104	Tautliner truck with removable roof and trailer with opening floor A combined tautliner truck with removable roof and trailer with opening floor.
106	Bulk truck and trailer with opening floor A combined truck capable of carrying liquids or bulk goods and a trailer with opening floor.
3138	Armoured vehicle Automotive vehicle designed with fortified body for enhanced protection.
10E	Tautliner 25t (GS1 Temporary Code)
11E	Tautliner 25t with removable roof (GS1 Temporary Code)
12E	Articulated flat lorry 25t (GS1 Temporary Code) An articulated flat lorry capable of carrying loads of 25 tonnes.
13E	Articulated flat lorry 24t with crane 10m (GS1 Temporary Code) An articulated flat lorry with a 10 meter crane capable of carrying loads of 24 tonnes.
14E	Articulated flat lorry 24t with crane 15m (GS1 Temporary Code) An articulated flat lorry with a 15 meter crane capable of carrying loads of 24 tonnes.
15E	Articulated flat lorry 24t with crane 18m (GS1 Temporary Code) An articulated flat lorry with a 18 meter crane capable of carrying loads of 24 tonnes.
16E	Articulated flat lorry 10t (GS1 Temporary Code) An articulated flat lorry capable of carrying loads of 10 tonnes.
17E	Tautliner 25t with trailer 90m ³ (GS1 Temporary Code)
18E	Tautliner 25t with trailer 120m ³ (GS1 Temporary Code)
19E	Flat lorry with trailer and crane 10m (GS1 Temporary Code) An flat lorry with a trailer and a 10 meter crane.
20E	Articulated lorry with tank (GS1 Temporary Code) An articulated lorry fitted with a tank capable of carrying liquids or bulk goods..
21E	Flat lorry 15t (GS1 Temporary Code) A flat lorry capable of carrying loads of 15 tonnes.
22E	Flat lorry 25t with crane (GS1 Temporary Code) An flat lorry fitted with a crane and capable of carrying loads of 25 tonnes.
27E	Isothermic trailer (GS1 Temporary Code) A trailer capable of transporting temperature controlled goods.

Used Codes

28E	Refrigerated trailer (GS1 Temporary Code) A trailer capable of transporting refrigerated goods.
32E	Trailer (GS1 Temporary Code) A trailer suitable for transporting containerised or palletized goods.
33E	Tank trailer (GS1 Temporary Code) A tank trailer suitable for transporting liquids.
34E	Bulk trailer (GS1 Temporary Code) A trailer suitable for transporting bulk goods.
37E	Extendable trailer (GS1 Temporary Code) A trailer fitted with a rear axle which can be extended to cater for variable length loads.
38E	Dolly trailer (GS1 Temporary Code) A trailer composed of a platform mounted on an axle. The trailer is not connected directly to the truck but connected by the load.
39E	Freezer trailer (GS1 Temporary Code) A trailer suitable for transporting frozen goods.
41E	Furniture removal trailer (GS1 Temporary Code) A trailer used explicitly for the removal of furniture.
44E	Gondola trailer (GS1 Temporary Code) A split level trailer suitable for the transport of heavy machinery (e.g. earth movers).
45E	Extendable gondola trailer (GS1 Temporary Code) A trailer fitted with a rear axle which can be extended to cater for variable length loads and is suitable for the transport of heavy machinery (e.g. earth movers).
46E	Rigid lorry with tank (GS1 Temporary Code) A rigid lorry fitted with a tank capable of carrying liquids or bulk goods.
50E	Tautliner rigid truck (GS1 Temporary Code)
51E	Tautliner rigid truck with removable roof (GS1 Temporary Code)
53E	Trailer with opening floor (GS1 Temporary Code) A trailer with an opening floor mechanism which is used to discharge the cargo.
54E	Train with convergent set of wagons (GS1 Temporary Code) A train with wagons coming from different despatch locations which must be grouped in order to form one train.
55E	Train with divergent set of wagons (GS1 Temporary Code) A train with wagons coming from the same despatch location which will be split in different trains because there are more than one point of delivery.

Used Codes

56E	Combination of a truck (length 6 m) and a trailer (length 8 m) (GS1 Temporary Code) Combination of a truck (length 6 m) and a trailer (length 8m) having a combined tonnage of between 23 and 25 tons and a loading capacity of 90m3.
57E	Combination of a truck (length 6 m) and a trailer (length 9 m) (GS1 Temporary Code) Combination of a truck (length 6m) and a trailer (length 9m) having a combined tonnage of between 23 and 25 tons and a loading capacity of 100m3.
58E	Combination of a truck and trailer with a length of 13.6m, a tonnage between 23 and 25 tons (GS1 Temporary Code) Combination of a truck and a trailer with a length of 13.6m, a tonnage between 23 and 25 tons, and a loading capacity of 80 m3.
59E	Rail wagon (GS1 Temporary Code) A single rail wagon used to carry goods.
77E	Furniture truck and trailer (GS1 Temporary Code) A combined truck and trailer capable of carrying furniture.
78E	Tautliner truck and furniture trailer (GS1 Temporary Code) A combined tautliner truck and furniture trailer.
79E	Tautliner truck with removable roof and furniture trailer (GS1 Temporary Code) A combined tautliner truck with removable roof and furniture trailer.
93E	Truck and trailer with opening floor (GS1 Temporary Code) A combined truck and a trailer with an opening floor.
95E	Tautliner truck and dolly trailer (GS1 Temporary Code) A combined tautliner truck and a dolly trailer.
96E	A tautliner truck with removable roof and a dolly trailer (GS1 Temporary Code) A combined tautliner truck with removable roof and a dolly trailer.
97E	Truck with trailer (GS1 Temporary Code) Combined truck and trailer.
98E	Truck with crane for moving goods without trailer (GS1 Temporary Code) A truck with a crane that enables to move goods, without trailer.
99E	Truck with crane for moving goods with trailer (GS1 Temporary Code) A truck with a crane that enables to move goods, with trailer.
X01	Truck with crane for lifting goods without trailer (GS1 Temporary Code) A truck with a crane that enables to lift goods, without trailer.
X02	Truck with crane for lifting goods with trailer (GS1 Temporary Code) A truck with a crane that enables to lift goods, with trailer.
X04	Courier express (GS1 Temporary Code) Use the fastest courier means possible.

Used Codes

X05	Road parcel express (GS1 Temporary Code) Parcel express service by road.
X06	Air freight (GS1 Temporary Code)
X07	Surface air lifting (GS1 Temporary Code)
X08	Air express (GS1 Temporary Code)
X09	Parcel post (GS1 Temporary Code) Postal service for the delivery of parcels.
X10	Mail express (GS1 Temporary Code) The express mail service of the postal service.
X11	Surface mail (GS1 Temporary Code) For non air mail international mailing.
X12	Accelerated surface mail (GS1 Temporary Code) Higher priority surface mail.
X13	Air mail (GS1 Temporary Code) Use air mail service.
X14	Printed matter/book post (GS1 Temporary Code) A special mailing service for printed matter or books.
X3	Truck up to 3,5 tons (GS1 Temporary Code) A truck with a total weight up to 3,5 tons.
X4	Miscellaneous transport means (GS1 Temporary Code) Miscellaneous means of transport not further defined.

Example

UNA:+.?'

The UNA segment contains the default service string characters.

UNB+UNOC:3+4012345000009:14:4012345000018+4000004000002:14:4000004000099
+161013:1043+4711+REF:AA++++EANCOM+1'

The EANCOM file 4711 dated 13.10.2016, 10 h 43 is sent by the issuer identified with GLN 4012345000009 to the receiver identified with GLN 4000004000002.

UNH+ME000001+INSDDES:D:01B:UN:EAN003'

The reference number of the INSDDES message is ME000001.

BGM+240+4712+9'

The Document Number is 4712.

DTM+137:20160823:102'

The document date is the 23th of August 2016.

DTM+2:20160606:102'

The requested delivery date is 6th of June 2016.

DTM+10:20160605:102'

The requested shipping date is 5th of June 2016.

FTX+DEL+1++Lieferinformation1:Lieferinformation2:Lieferinformation3:Lief
erinformation4:Lieferinformation5+DE'

Specification of delivery information.

FTX+DSI+1++Lieferpapiertext1:Lieferpapiertext2:Lieferpapiertext3:Lief
erpapiertext4:Lieferpapiertext5+DE'

Specification on a delivery note.

FTX+HAN+1++Anweisung1:Anweisung2:Anweisung3:Anweisung4:Anweisung5+DE'

Specification of handling instructions.

RFF+ON:123456'

The message references to the delivery party order number 3425.

RFF+VN:225897'

The message references to the order number 225897.

NAD+SU+4000862141404::9+:X:X:X:X+FIRMA A:HERR Meyer+HAUPTSTRASSE 23+Bonn
++53179+DE'

The sender has the GLN 4000862141404.

RFF+YC1:34565'

The additional identification of the delivery address is 34565.

RFF+GN:HRB-471111'

German Statements on business letters: HRB-471111.

CTA+IC+:Claus Früh'

Contact person is Claus Früh.

COM+01666688771:TE'

The phone number is 01666688771.

NAD+LSP+4399899175941::9'

The GLN of the Logistic Service Provider (Warehouse) is 4399899175941.

NAD+DP+4012345500004::9++FIRMA B:HERR KLOSE+KREUTZSTRASSE 14+HAMBURG++22
297+DE'

Example

The delivery party has the GLN 4012345500004.

RFF+YC1:14587'

The additional identification of the receiver address is 14587.

CTA+IC+:Claus Späth'

Contact person is Claus Späth.

COM+015687646551:TE'

The phone number is 015687646551.

**NAD+PW+4012345500004::9++FIRMA B:HERR KLOSE+KREUTZSTRASSE 14+HAMBURG++22
297+DE'**

The place of loading has the GLN 4012345500004.

RFF+YC1:14587'

The additional identification of the place of loading address is 14587.

CTA+IC+:Claus Nie'

Contact person is Claus Nie.

COM+05684615:TE'

The phone number is 05684615.

**NAD+UC+5412345000013::9++FIRMA D:HERR KLEIN+BERLINER STRASSE 5+KOELN++50
835+DE'**

The ultimate consignee has the GLN 5412345000013.

RFF+YC1:58472'

The additional identification of the ultimate consignee address is 58472.

CTA+IC+:Claus Kramer'

Contact person is Claus Kramer.

COM+032624368:TE'

The phone number is 032624368.

**NAD+CA+5412345003434::9++FIRMA X:HERR PETERS+BERLINER STRASSE 3+KOELN++5
0835+DE'**

The ultimate consignee has the GLN 5412345003434.

CTA+IC+:Claus Michel'

Contact person is Claus Michel.

COM+02354738463:TE'

The phone number is 02354738463.

NAD+BY+4312345001205::9'

The buyer has the GLN 4312345001205.

TOD+6++FOB'

The transfer of risk occurs when the freight carrier takes over the goods in his custody.

TDT+20++30+31+4044332001201:::UPS'

The transport is provided by UPS.

LIN+1++4000004000050:SRV'

The product is identified by GTIN 4000004000050.

PIA+1+ABC1234:SA::91'

The suppliers article number is ABC1234.

PIA+1+56411234:NB'

Example

The batch number is 56411234.

QTY+113:48'

The quantity to be delivered is 48 pieces.

GIN+BJ+354123450000000014'

The SSCC is 340123450000000014

DTM+361:20160612:102'

The best before date is 12th of June 2016.

DTM+418:8:803'

The minimum remaining time is eight weeks.

DTM+363:8:803'

The total remaining time is eight weeks.

FTX+DSI+1++Lieferpapiertext1:Lieferpapiertext2:Lieferpapiertext3:Lieferpapiertext4:Lieferpapiertext5+DE'

Specification on a delivery note.

FTX+DEL+1++Lieferinformation1:Lieferinformation2:Lieferinformation3:Lieferinformation4:Lieferinformation5+DE'

Specification of delivery information.

MOA+22:12000:EUR'

The Cash on delivery amount is 12000 euros.

UNS+S'

Separation of detail- and summary section

UNT+47+ME000001'

The message contains 47 segments.

UNZ+1+4711'

The transmission file contains 1 message.
